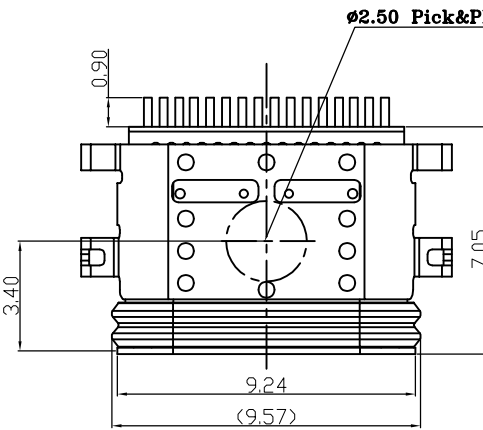
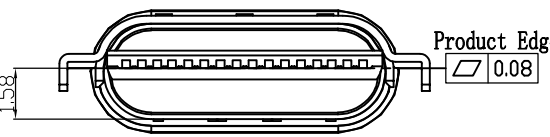
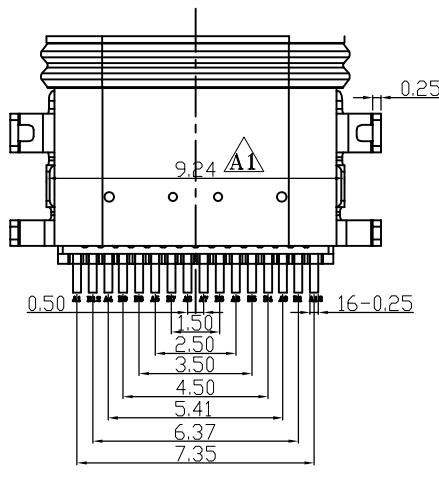
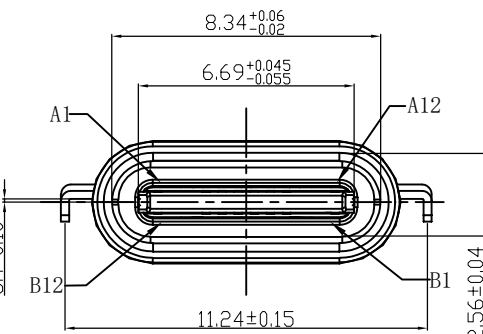


RECOMMENDED P.C.B. LAYOUT
TOLERANCE UNSPECIFIED ±0.05mm



- NOTES:
SPECIFICATION:
1. CURRENT RATING: 8.0A MAX
 2. VOLTAGE: 100 VAC
 3. TEMPERATURE RANGE: -30 °C ~ 85 °C
 4. CONTACT RESISTANCE: 40 MILLIONHM MAX
 5. INSULATION RESISTANCE: 100 MEGOHMS MIN.
 6. LNSERTION FORCE : 6N~20N
 7. UNMATING FORCE: 8N~20N
 8. DURABILITY: 10,000 CYCLES

| | | | |
|-----|-------------|-----|-------------|
| A1 | GND | B12 | GND |
| A4 | VBUS | B9 | VBUS |
| A5 | CC1 | B8 | SBU2 |
| A6 | DP1 | B7 | DN2 |
| A7 | DN1 | B6 | DP2 |
| A8 | SBU1 | B5 | CC2 |
| A9 | VBUS | B4 | VBUS |
| A12 | GND | B1 | GND |
| PIN | SIGNAL NAME | PIN | SIGNAL NAME |

| NO. | DESCRIPTION | MATERIAL | REMARKS | QTY |
|-----|-----------------|--------------------------|------------------|------|
| 9 | SEALING | SILICON DIOXIDE | --- | |
| 8 | EMC | STAINLESS STEEL | --- | |
| 7 | SHELL | STAINLESS STEEL | NI Plated | 1PCS |
| 6 | OVER SHELL | STAINLESS STEEL | NI Plated | 1PCS |
| 5 | SHIELDING PLATE | STAINLESS STEEL | --- | 1PCS |
| 4 | MD | HIGH TEMPERATURE PLASTIC | PA9T- BLACK | 1PCS |
| 3 | CONTACT | COPPER ALLOY | Au:1u"/NI Plated | 1SET |
| 2 | CONTACT | COPPER ALLOY | Au:1u"/NI Plated | 1SET |
| 1 | HOUSING | HIGH TEMPERATURE PLASTIC | PA9T -BLACK | 1PCS |

| | | | | | | | |
|----------|-----------|---------|--------------|--|------------|------------|----------------------------------|
| DESIGN | MISS ZENG | SC ALL | | | TOLERANCE | ANGLES | 品名： 连接器 |
| DRAWIGN | MISS LI | ANIT | mm | | X. ±0.50 | X.° ±5.0° | |
| CHECK | Mr. ZENG | SIZE | A4 : 210*297 | | .X ±0.30 | .X° ±1.0° | 型号： CUSTOMER DRAWING |
| APPROVAL | | VERSION | 01 | | .XX ±0.20 | .XX° ±0.5° | |
| | | | | | .XXX ±0.10 | | C F 单排16PUB16-Q43 沉板1.58 防水型CONN |



东莞市航宏电子科技有限公司
Dongguan Hanghong Electronics Co., Ltd.