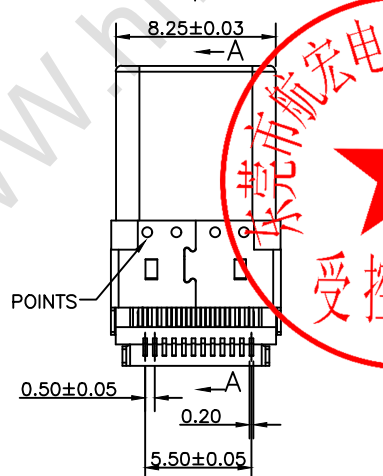
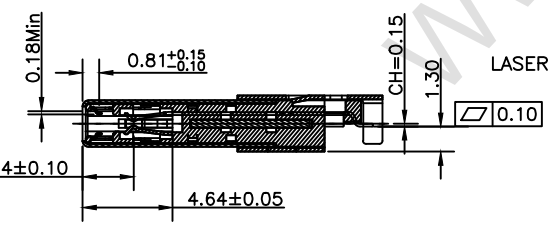
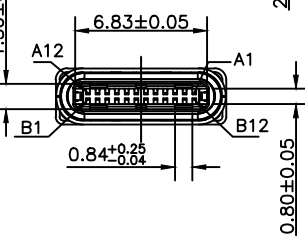
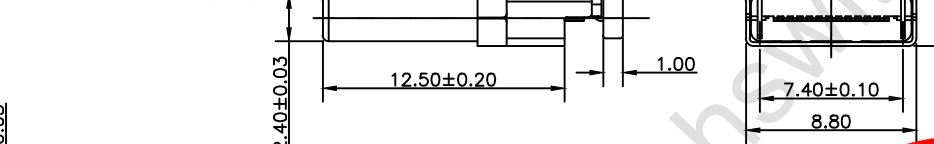
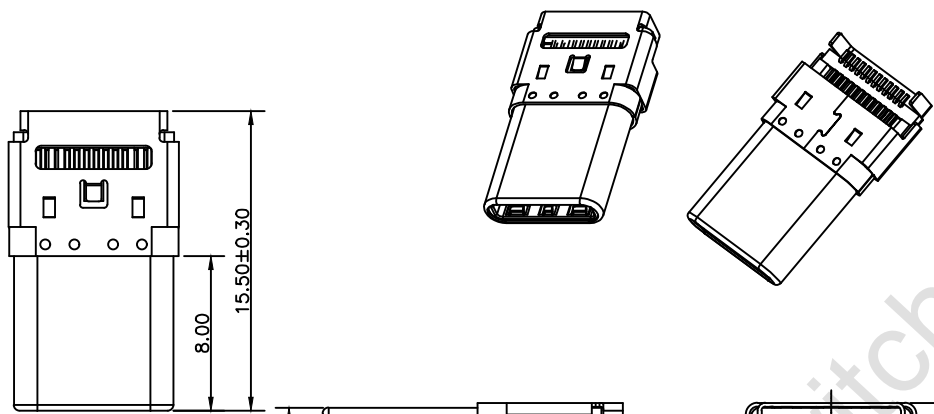
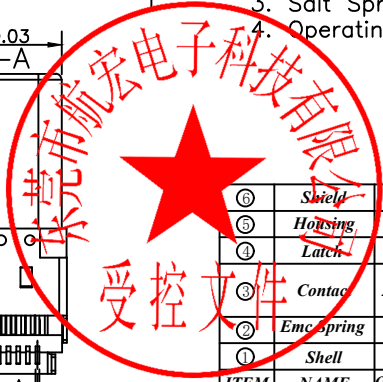


F | E | D | C | B | A



NOTE:  
 1. Electrical Characteristics:  
 Current Rating: 5A For Pin(A4,A9,B4,B9)  
 1.25A For Others Pin  
 Insulation Resistance: 100MΩ Min.  
 Contact Resistance: 40 mΩ Max.  
 Dielectric Withstanding Voltage:100V/AC 1Minute  
 2. Mechanical Characteristics:  
 Insertion Force: 5~20N  
 Extraction Force: Initial: 8~20N  
 After durability: 6~20N  
 Durability :10000 Cycles  
 3. Salt Spray :24H  
 4. Operating Temperature: -30°C TO +85°C



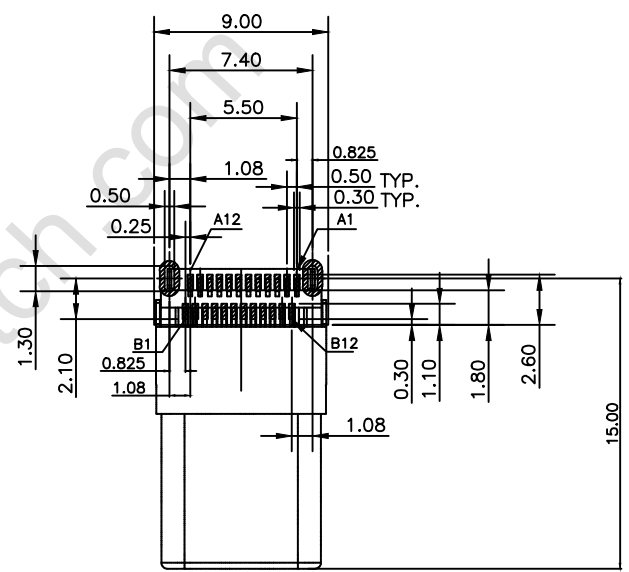
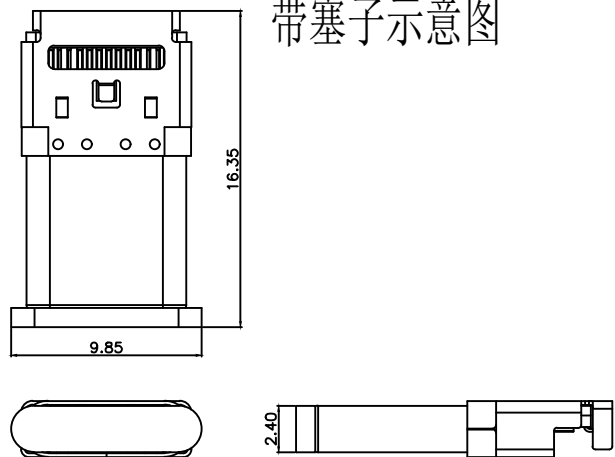
⑥	Shield	1	Stainless Steel	Bright Nickel Plating
⑤	Housing	4	LCP	Color: Black
④	Latch	1	Stainless Steel	
③	Contact	24	Copper Alloy	3u" gold plated on Contact area, Matte Tin plated on Soldertails, Nickel underplating over all
②	Emc spring	2	Stainless Steel	
①	Shell	1	Stainless Steel	Bright Nickel Plating
ITEM	NAME	QTY	MATERIAL	DESCRIPTION

DESIGN	MISS ZENG	SC ALL			未注公差 T0OLERANCE 品名: 连接器 型号: TYPE-C 双排公头 拉伸 L=15.5MM(B款)
DRAWIGN	MISS LI	ANIT	MM		
CHECK	Mr. ZENG	SIZE	A4: 210*297		
APPROVAL		VERSION	01		

**东莞市航宏电子科技有限公司**  
 Dongguan Hanghong Electronics Co., Ltd.

F | E | D | C | B | A

带塞子示意图



USB TYPE-C FULL-FEATURED RECEPTACLE INTERFACE PIN ASSIGNMENTS

PIN	Signal Name	Description	PIN	Signal Name	Description
A1	GND	Ground return	B12	GND	Ground return
A2	SSTXp1	Positive half of first SuperSpeed TX differential pair	B11	SSRXp1	Positive half of first SuperSpeed RX differential pair
A3	SSTXn1	Negative half of first SuperSpeed TX differential pair	B10	SSRXn1	Negative half of first SuperSpeed RX differential pair
A4	Vbus	Bus Power	B9	VBUS	Bus Power
A5	CC1	Configuration Channel	B8	SBU2	Sideband Use(SBU)
A6	Dp1	Positive half of the USB 2.0 differential pair-Position 1	B7	Dn2	Negative half of the USB 2.0 differential pair-Position 2
A7	Dn1	Negative half of the USB 2.0 differential pair-Position 1	B6	Dp2	Positive half of the USB 2.0 differential pair-Position 2
A8	SBU1	Sideband Use(SBU)	B5	CC2	Configuration Channel
A9	VBUS	Bus Power	B4	VBUS	Bus Power
A10	SSRXn2	Negative half of second SuperSpeed RX differential pair	B3	SSTXn2	Negative half of second SuperSpeed TX differential pair
A11	SSRXp2	Positive half of second SuperSpeed RX differential pair	B2	SSTXp2	Positive half of second SuperSpeed TX differential pair
A12	GND	Ground return	B1	GND	Ground return

RECOMMENDED P.C.B. LAYOUT  
 T=0.80 OR 1.00mm  
 TOLERANCE UNSPECIFIED ±0.05mm



DESIGN	MISS ZENG	SC ALL			未注公差 TOLERANCE
DRAWIGN	MISS LI	ANIT	MM		
CHECK	Mr. ZENG	SIZE	A4: 210*297		
APPROVAL		VERSION	01		

品名: 连接器  
 型号: TYPE C 双排公头 拉伸 L=15.5MM(B款)

东莞市航宏电子科技有限公司  
 Dongguan Hanghong Electronics Co., Ltd.