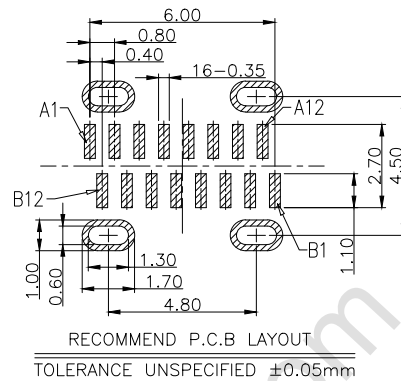


装前塞示意图



RECOMMEND P.C.B LAYOUT
TOLERANCE UNSPECIFIED ±0.05mm

NOTES:

SPECIFICATION:

- CURRENT RATING: 3.0 A
- VOLTAGE RATING: 3.0 V
- VBUS & GND PINS AND OTHER PINS: 40mΩ/PIN MAX
SHIELD: 50mΩ/MAX
LLCR MAX. CHANGE OF ALL PINS: 10Ωm
- INSULATION RESISTANCE: 100MΩ MIN
- DIELECTRIC WITHSTAND VOLTAGE, AC 100V FOR 1MINUTE
- INSERTION FORCE: 0.5~2.0kgf
- UNMATING FORCE: 0.8~2.0kgf
- DURABILITY: 10000 CYCLES
- OPERATING TEMPERATURE: -35°C~+85°C
- THE PEAK TEMPERATURE OF THE HOUSING SHALL BE MAINTAINED FOR 10 SECONDS AT 210-230°C
- WATERPROOF: IP-X7.

USB TYPE C PIN ASSIGNMENTS

PIN NUMBER	SIGNAL NAME	PIN NUMBER	SIGNAL NAME
A1	GND	B12	GND
A4	VBUS	B9	VBUS
A5	CC1	B8	SBU2
A6	DP1	B7	DN2
A7	DN1	B6	DP2
A8	SBU1	B5	CC2
A9	VBUS	B4	VBUS
A12	GND	B1	GND

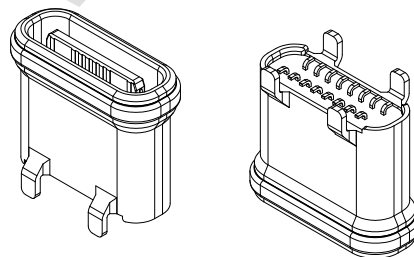
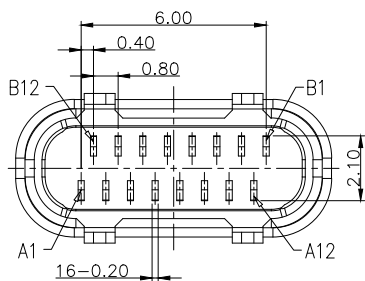
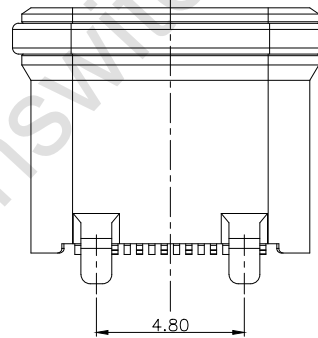
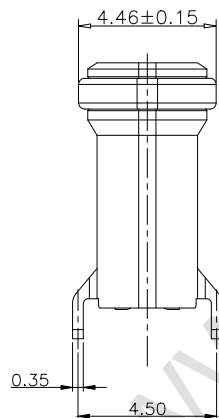
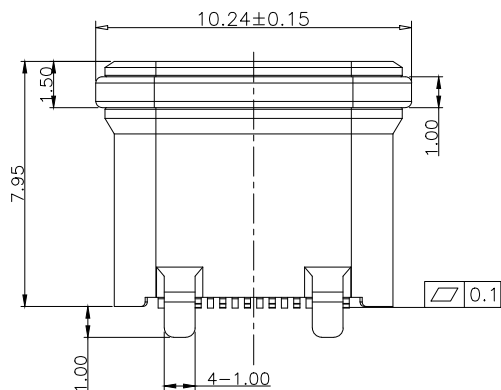
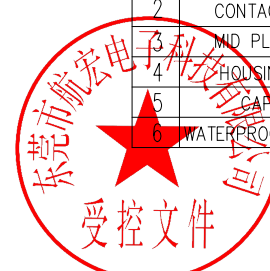


TABLE:

NO	PART	Q'TY	Material
1	SHELL	1	ZINC ALLOG, NI30u"Min PLATED
2	CONTACT	16	C7025, TIN80u"/Au3u"/NI30u"PLATED
3	MD PLATE	1	SUS301, NO PLATING
4	HOUSING	1	LCP(E130i) UL94 V-0 BLACK
5	CAP	1	LCP UL94 V-0 BLACK
6	WATERPROOF RING	1	SILICONE(SI/60-65A) UL94 V-0 RED

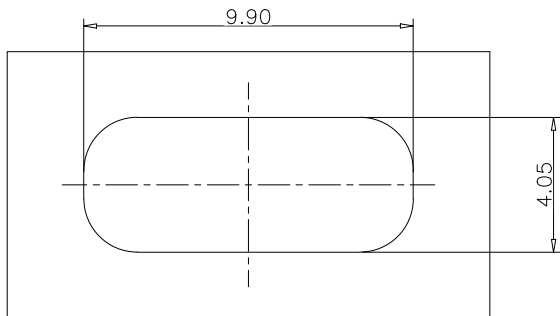


DESIGN	MISS ZENG	SC ALL		TOLERANCE	ANGLES
DRAWIGN	MISS LI	ANIT	mm		
CHECK	Mr. ZENG	SIZE	A4 : 210*297		
APPROVAL		VERSION	01		

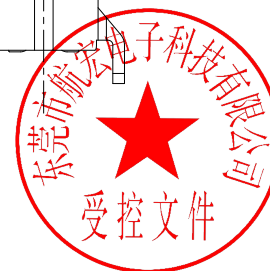
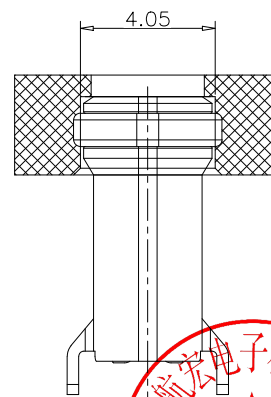
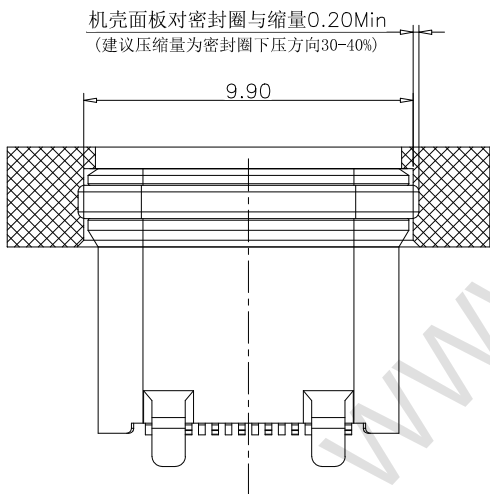
品名: TYPE-C连接器
型号: TYPE-C 16P 防水母座立式贴板 H=8.0mm



东莞市航宏电子科技有限公司
Dongguan Hanghong Electronics Co., Ltd.



密封开孔参考尺寸(只供参考)
 组装外壳时需要打环保润滑油



DESIGN	MISS ZENG	SC ALL			TOLERANCE	ANGLES
DRAWIGN	MISS LI	ANIT	mm			
CHECK	Mr. ZENG	SIZE	A4 : 210*297			
APPROVAL		VERSION	01			

品名: TYPE-C连接器
 型号: TYPE-C 16P 防水母座立式贴板
 H=8.0mm



东莞市航宏电子科技有限公司
 Dongguan Hanghong Electronics Co., Ltd.