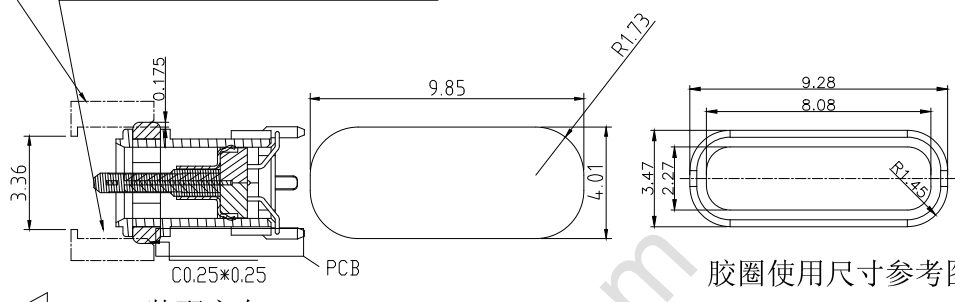


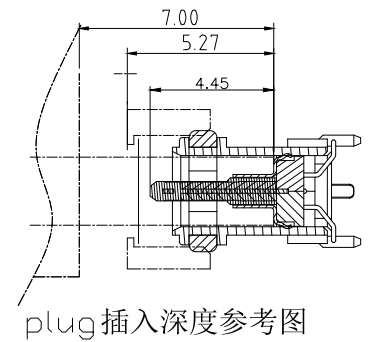
机壳与胶圈干涉建议单边0.15最小，胶圈尺寸跑上限



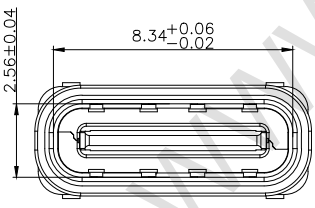
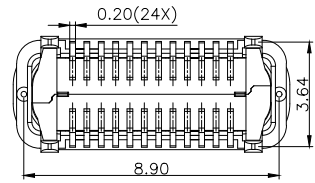
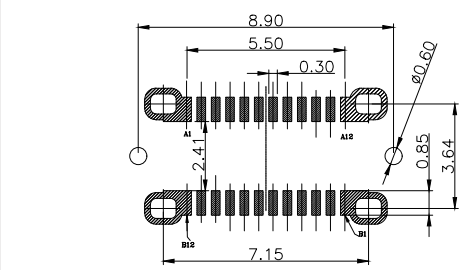
← 装配方向
组裝示意图

开孔尺寸参考
组裝外壳时需要打环保润滑油

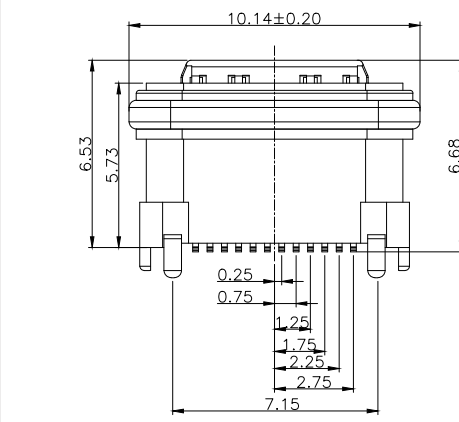
胶圈使用尺寸参考图



plug插入深度参考图

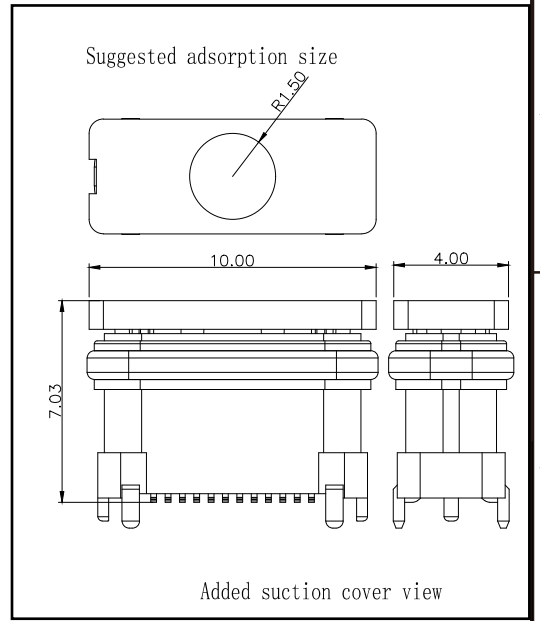
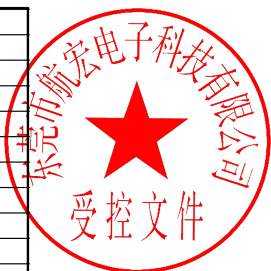


RECOMMENDED P.C.B. LAYOUT (T:1.00mm)
TOLERANCE UNSPECIFIED ±0.05mm



Note:
1.Material:
1.1 Housing: LCP
1.2 Contact:C7025,t=0.20mm
1.3 Shell: SUS316
2.ELECTRICAL:
2-1:CURRENT RATING:
VBUS AND GND CONTACTS RATED AT 1.25A
PARALLELED FOR A TOTAL OF 5A;
2-2:INITIAL CONTACT RESISTANCE :40 MEGOHMS
2-3:DIELECTRIC WITHSTANDING VOLTAGE:
100V AC MIN;
3:MECHANICAL CHARACTERISTICS:
3-1:MATING FORCE:5~20N
3-2:UNMATING FORCE:8~20N(INITIAL),
6~20N(AFTER 10000 CYCLES)
3-3:FREQUENCY: 200±50 CYCLES /HOUR,
10000 CYCLES
3-4:OPERATING TEMPERATURE ;-40°~80°.

A1	GND	B12	GND
A2	SSTXP1	B11	SSRXP1
A3	SSTXN1	B10	SSRXN1
A4	VBUS	B9	VBUS
A5	CC1	B8	SBU2
A6	DP1	B7	DN2
A7	DN1	B6	DP2
A8	SBU1	B5	CC2
A9	VBUS	B4	VBUS
A10	SSRXN2	B3	SSTXN2
A11	SSRXP2	B2	SSTXP2
A12	GND	B1	GND
PIN	SIGNAL NAME	PIN	SIGNAL NAME



DESIGN	MISS ZENG	SC ALL			TOLERANCE	ANGLES	品名： TYPE-C连接器 型号：TYPE-C 24PIN直立式防水母座 双筋位6.68
DRAWIGN	MISS LI	ANIT	mm				
CHECK	Mr. ZENG	SIZE	A4 : 210*297				
APPROVAL		VERSION	01				



东莞市航宏电子科技有限公司
Dongguan Hanghong Electronics Co., Ltd.