

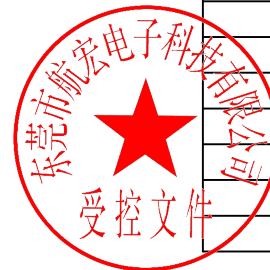
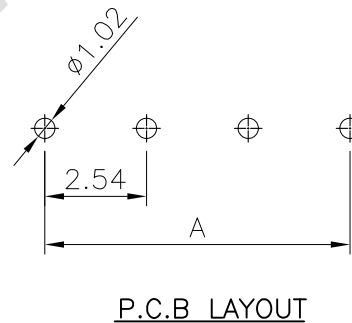
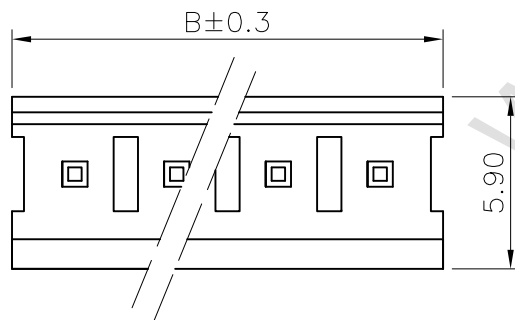
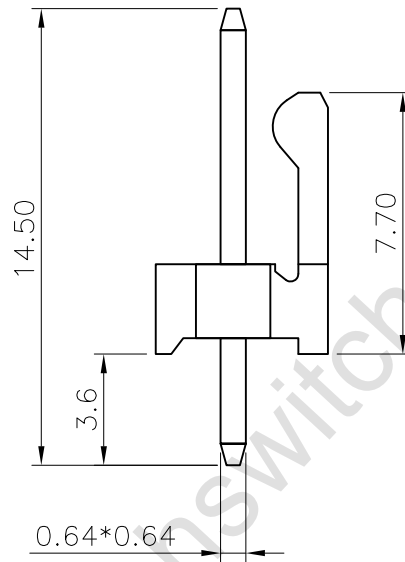
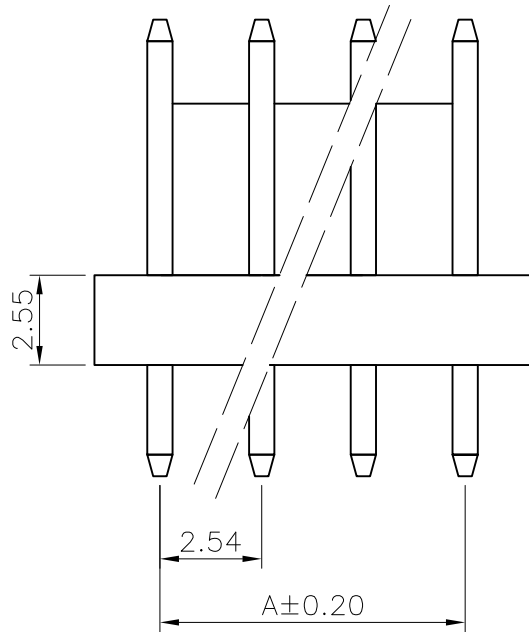
◆ SPECIFICATIONS

- Current rating: 3A AC, DC
- Voltage rating: 250V AC, DC
- Temperature range: -25°C ~ +85°C
- Insulation resistance: 1000MΩ Min.
- Withstanding voltage: 800V AC/ minute.
- Contact resistance: 20mΩ Max.

Material:

Insulator: Nylon 66 UL 94V-0
 Contact: Brass
 Plating: Tin plated over Nickel

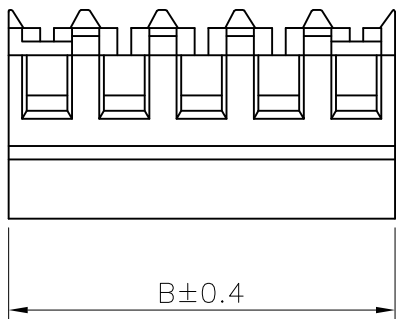
Part No.	Dimension mm	
	A	B
00219P630	2.54	5.08
00319P630	5.08	7.62
00419P630	7.62	10.16
00519P630	10.16	12.70
00619P630	12.70	15.24
00719P630	15.24	17.78
00819P630	17.78	20.32
00919P630	20.32	22.86
01019P630	22.86	25.40
01119P630	25.40	27.94
01219P630	27.94	30.48
01319P630	30.48	33.02
01419P630	33.02	35.56
01519P630	35.56	38.10
01619P630	38.10	40.64



DESIGN	MISS ZENG	SC ALL			TOLERANCE	ANGLES	品名: 刺破式连接器
DRAWIGN	MISS LI	ANIT	mm		X.X ±0.30	±1°	
CHECK	Mr. ZENG	SIZE	A4 : 210*297	X.XX ±0.20		型号: 2.54单排-DIP-带扣-无角-90°	
APPROVAL		VERSION	01	X.XXX ±0.10			



东莞市航宏电子科技有限公司
 Dongguan Hanghong Electronics Co., Ltd.



color	Wire size
Red	#20
Yellow	#22
White	#24
Black	#24
Blue	#26
Green	#26

◆ SPECIFICATIONS

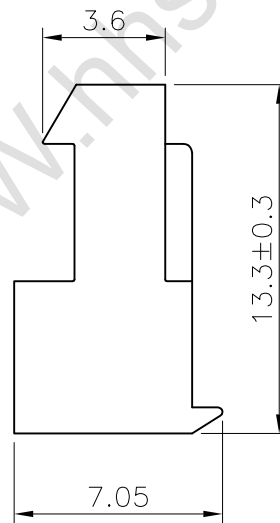
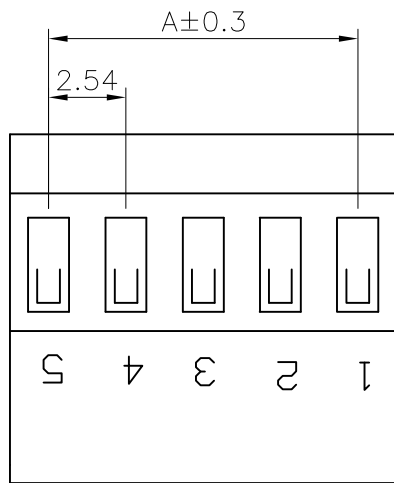
- Current rating: 3A AC, DC
- Voltage rating: 250V AC,DC
- Temperature range: -25°C ~ +85°C
- Insulation resistance: 1000MΩ Min.
- Withstanding voltage: 800V AC/ minute.
- Contact resistance: 20mΩ Max.

Material:

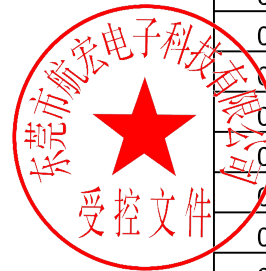
Insulator: Nylon 66 UL 94V-0

Contact: Brass

Plating: Tin plated over Nickel



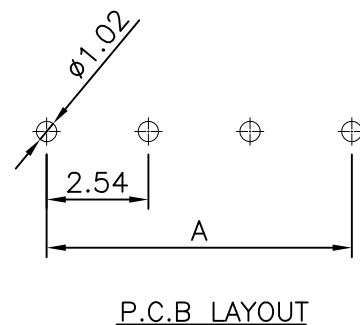
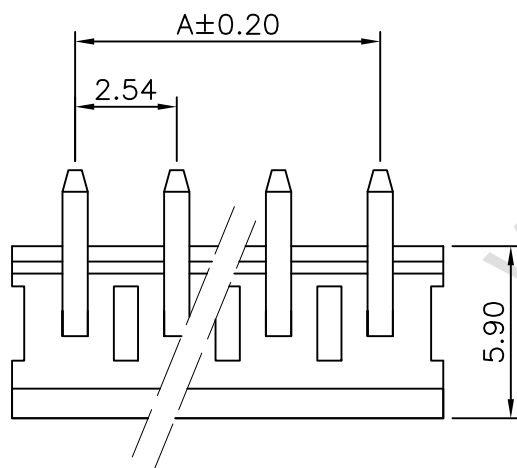
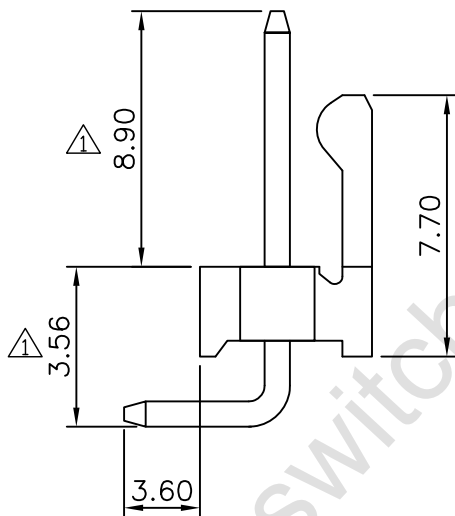
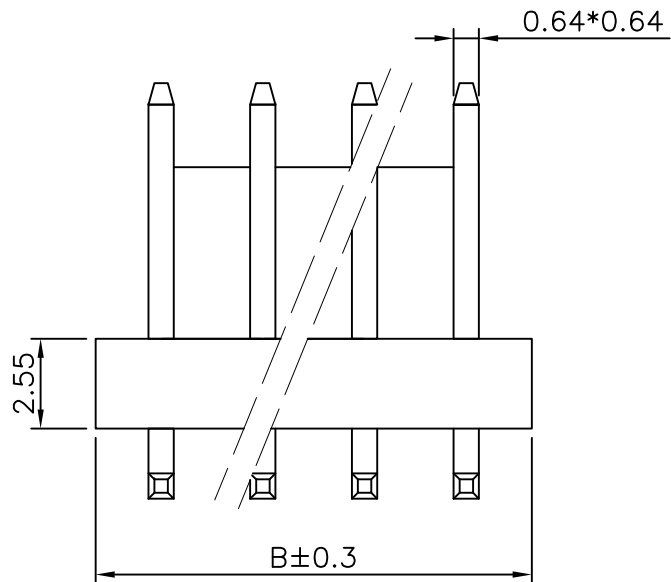
PART No.	Dimension mm	
	A	B
0021*P60	2.54	5.08
0031*P60	5.08	7.62
0041*P60	7.62	10.16
0051*P60	10.16	12.70
0061*P60	12.70	15.24
0071*P60	15.24	17.78
0081*P60	17.78	20.32
0091*P60	20.32	22.86
0101*P60	22.86	25.40
0111*P60	25.40	27.94
0121*P60	27.94	30.48
0131*P60	30.48	33.02
0141*P60	33.02	35.56
0151*P60	35.56	38.10
0161*P60	38.10	40.64
0171*P60	40.64	43.18



DESIGN	MISS ZENG	SC ALL			TOLERANCE	ANGLES	品名： 刺破式连接器 型号： 2.54单排-DIP-带扣-无角-90°
DRAWIGN	MISS LI	ANIT	mm		X.X ±0.30	±1°	
CHECK	Mr. ZENG	SIZE	A4 : 210*297		X.XX ±0.20		
APPROVAL		VERSION	01		X.XXX ±0.10		



东莞市航宏电子科技有限公司
Dongguan Hanghong Electronics Co., Ltd.



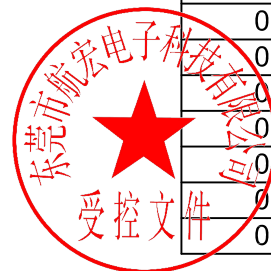
◆ SPECIFICATIONS

- Current rating: 3A AC, DC
- Voltage rating: 250V AC, DC
- Temperature range: -25°C ~ +85°C
- Insulation resistance: 1000MΩ Min.
- Withstanding voltage: 800V AC/ minute.
- Contact resistance: 20mΩ Max.

Material:

Insulator: Nylon 66 UL 94V-0
 Contact: Brass
 Plating: Tin plated over Nickel

Part No.	Dimension mm	
	A	B
00219P630	2.54	5.08
00319P630	5.08	7.62
00419P630	7.62	10.16
00519P630	10.16	12.70
00619P630	12.70	15.24
00719P630	15.24	17.78
00819P630	17.78	20.32
00919P630	20.32	22.86
01019P630	22.86	25.40
01119P630	25.40	27.94
01219P630	27.94	30.48
01319P630	30.48	33.02
01419P630	33.02	35.56
01519P630	35.56	38.10
01619P630	38.10	40.64



DESIGN	MISS ZENG	SC ALL			TOLERANCE	ANGLES	品名: 刺破式连接器 型号: 2.54单排-DIP-带扣-无角-90
DRAWING	MISS LI	ANIT	mm		X.X ± 0.30	± 1°	
CHECK	Mr. ZENG	SIZE	A4 : 210*297		X.XX ± 0.20		
APPROVAL		VERSION	01		X.XXX ± 0.10		



东莞市航宏电子科技有限公司
 Dongguan Hanghong Electronics Co., Ltd.