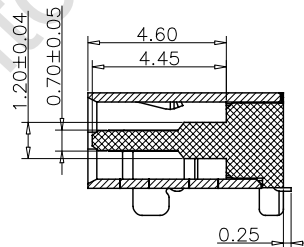
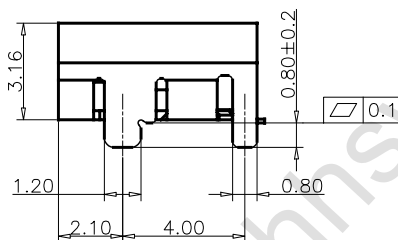
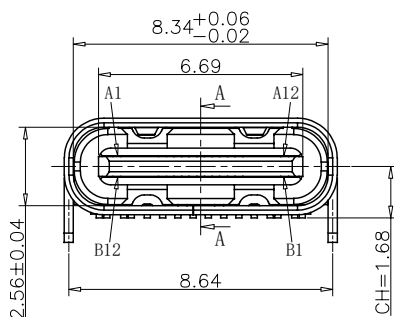


RECOMMEND P.C.B LAYOUT(COMPONENT SIDE)
TOLERANCE FOR PCB LAYOUT IS ± 0.05



SECTION A-A
SCALE 1:1

NOTES:

1. Material: See Table
2. Finished: See Table
3. Mechanical:
Insertion force: 0.5~2.0kgf
Removal force: 0.8~2.0kgf
Durability: 10000 times
4. Electrical:
Current rating: 5.0A
Voltage rating: 5.0V
Insulation resistance: 100MΩ Min
Dielectric withstand voltage: AC 100V for 1Minute.
5. Environmental:
Operating temperature: -30°C~+80°C
6. IR REFLOW:
The peak temperature on the board shall be maintained for 10 seconds at 260°C

USB TYPE C PIN ASSIGNMENTS

PIN NUMBER	SIGNAL NAME	PIN NUMBER	SIGNAL NAME
A1	GND	B12	GND
A4	VBUS	B9	VBUS
A5	CC1	B8	SUB2
A6	Dp1	B7	Dn2
A7	Dn1	B6	Dp2
A8	SBU1	B5	CC2
A9	VBUS	B4	VBUS
A12	GND	B1	GND

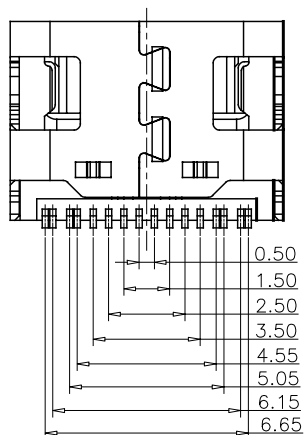
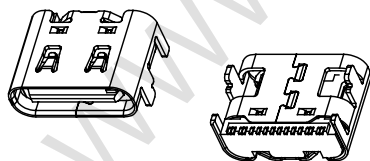


TABLE:

NO	PART	Q'TY	Material
1	SHELL	1	STAINLESS STEEL, Ni PLATED 30u"Min
2	CONTACT	16	COPPER STEEL, Ni 50u"Min; Au u"
3	MID PLATE	1	STAINLESS STEEL, NO PLATING
4	MD HOUSING	1	HIGH TEMPERATURE RESISTANT PLASTIC BLACK UL94 V-0

DESIGN	MISS ZENG	SC ALL			TOLERANCE	ANGLES
DRAWIGN	MISS LI	ANIT	mm		X.X ± 0.30	X° ± 5°
CHECK	Mr. ZENG	SIZE	A4 : 210*297		X.XX ± 0.20	X.X ± 2°
APPROVAL		VERSION	01		X.XXX ± 0.10	

品名: TYPE-C
型号: TYPE-C 16P 带弹四脚插板



东莞市航宏电子科技有限公司
Dongguan Hanghong Electronics Co., Ltd.

