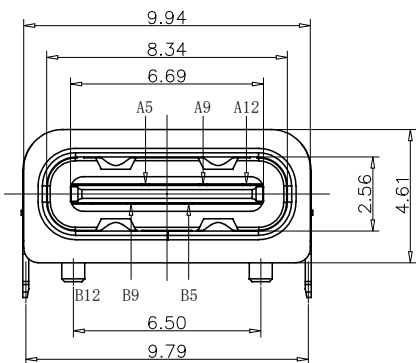
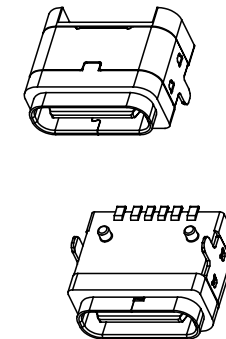
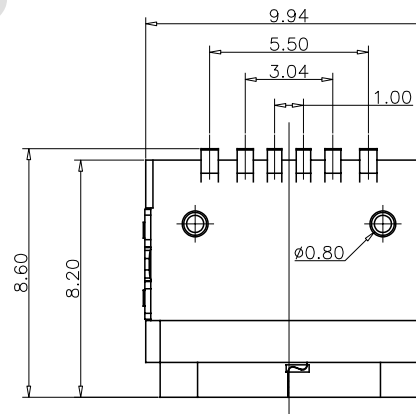
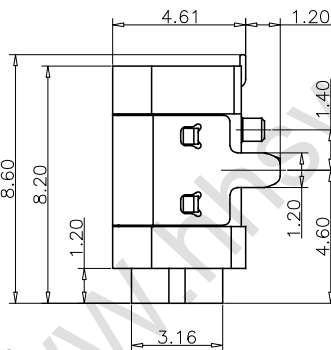
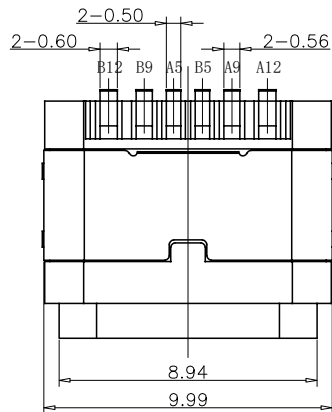


RECOMMEND P.C.B LAYOUT (COMPONENT SIDE)
TOLERANCE FOR PCB LAYOUT IS ± 0.05



NOTES:

SPECIFICATION:

- CURRENT RATING: 3.0A MAX
- VOLTAGE: 100 VAC
- TEMPERATURE RANGE: $-30^{\circ}\text{C} \sim +85^{\circ}\text{C}$
- CONTACT RESISTANCE: 40 MILLION ΩM MAX
- INSULATION RESISTANCE: 100 MEGOHMS MIN
- INSERTION FORCE: 5N~20N
- UNMATING FORCE: 8N~20N
- DURABILITY: 10000 CYCLES
- WATER PROOFNESS: THIS PRODUCT IS BASED ON IPX7.

PIN ASSIGNMENT:

PIN NO	A1&B12	A4&B9	A5	B5	A9&B4	A12&B1
SIGNAL NAME	GND	VBUS	CC1	CC2	VBUS	GND
PCB PAD NO.	C1	C2	C3	C4	C5	C6

TABLE:

NO	PART	QTY	Material
1	SHELL	1	STAINLESS STEEL, NI PLATED
2	CONTACT	6	COPPER STEEL, TIN/Au/NI PLATED
3	MID PLATE	1	STAINLESS STEEL, NO PLATING
4	1MD HOUSING	1	HIGH TEMPERATURE RESISTANT PLASTIC BLACK UL94 V-0
5	2MD HOUSING	1	HIGH TEMPERATURE RESISTANT PLASTIC BLACK UL94 V-0
6	SHIELDING PLATE	1	STAINLESS STEEL, NI PLATED

DESIGN	MISS ZENG	SC ALL			TOLERANCE	ANGLES	品名: TYPE-C
DRAWIGN	MISS LI	ANIT	mm		X.X ± 0.30	$X^{\circ} \pm 5^{\circ}$	
CHECK	Mr. ZENG	SIZE	A4 : 210*297		X.XX ± 0.20	$X.X \pm 2^{\circ}$	型号: TYPE-C 6P 板上防水 两脚插板
APPROVAL		VERSION	01		X.XXX ± 0.10		



东莞市航宏电子科技有限公司
Dongguan Hanghong Electronics Co., Ltd.