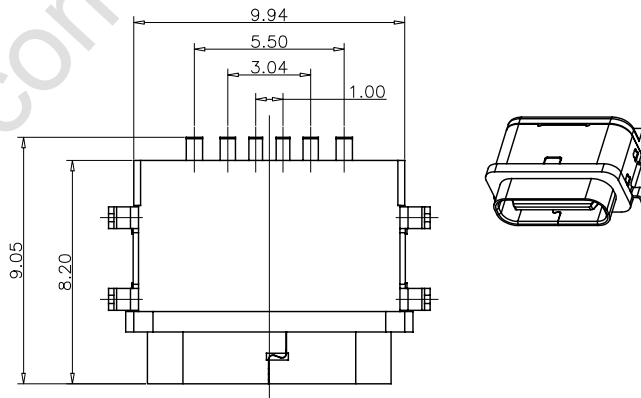
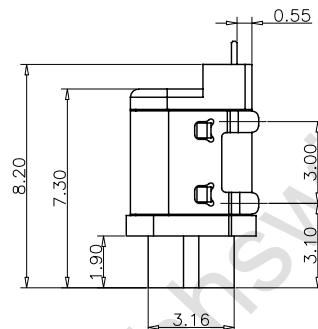
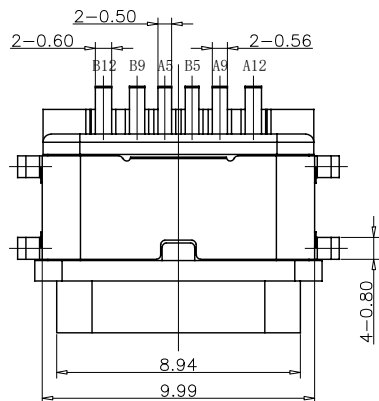


加防水圈示意图

RECOMMEND P.C.B LAYOUT (COMPONENT SIDE)  
TOLERANCE FOR PCB LAYOUT IS  $\pm 0.05$



NOTES:

SPECIFICATION:

1. CURRENT RATING: 3.0A MAX
2. VOLTAGE: 100 VAC
3. TEMPERATURE RANGE:  $-30^{\circ}\text{C} \sim +85^{\circ}\text{C}$
4. CONTACT RESISTANCE: 40 MILLIONHM MAX
5. INSULATION RESISTANCE: 100 MEGOHMS MIN
6. INSERTION FORCE: 5N~20N
7. UNMATING FORCE: 8N~20N
8. DURABILITY: 10000 CYCLES
9. WATER PROOFNESS: THIS PRODUCT IS BASED ON IPX7.

PIN ASSIGNMENT:

| PIN NO      | A1&B12 | A4&B9 | A5  | B5  | A9&B4 | A12&B1 |
|-------------|--------|-------|-----|-----|-------|--------|
| SIGNAL NAME | GND    | VBUS  | CC1 | CC2 | VBUS  | GND    |
| PCB PAD NO. | C1     | C2    | C3  | C4  | C5    | C6     |

TABLE:

| NO | PART            | Q'TY | Material                                          |
|----|-----------------|------|---------------------------------------------------|
| 1  | SHELL           | 1    | STAINLESS STEEL, NI PLATED                        |
| 2  | CONTACT         | 6    | COPPER STEEL, TIN/Au/NI PLATED                    |
| 3  | MID PLATE       | 1    | STAINLESS STEEL, NO PLATING                       |
| 4  | 1MD HOUSING     | 1    | HIGH TEMPERATURE RESISTANT PLASTIC BLACK UL94 V-0 |
| 5  | 2MD HOUSING     | 1    | HIGH TEMPERATURE RESISTANT PLASTIC BLACK UL94 V-0 |
| 6  | SHIELDING PLATE | 1    | STAINLESS STEEL, NI PLATED                        |



|          |           |         |              |  |                  |                     |                                       |
|----------|-----------|---------|--------------|--|------------------|---------------------|---------------------------------------|
| DESIGN   | MISS ZENG | SC ALL  |              |  | TOLERANCE        | ANGLES              | 品名: TYPE-C<br>型号: TYPE-C 6P 沉板防水 四脚插板 |
| DRAWING  | MISS LI   | ANIT    | mm           |  | X.X $\pm 0.30$   | X° $\pm 5^{\circ}$  |                                       |
| CHECK    | Mr. ZENG  | SIZE    | A4 : 210*297 |  | X.XX $\pm 0.20$  | X.X $\pm 2^{\circ}$ |                                       |
| APPROVAL |           | VERSION | 01           |  | X.XXX $\pm 0.10$ |                     |                                       |



**东莞市航宏电子科技有限公司**  
Dongguan Hanghong Electronics Co., Ltd.