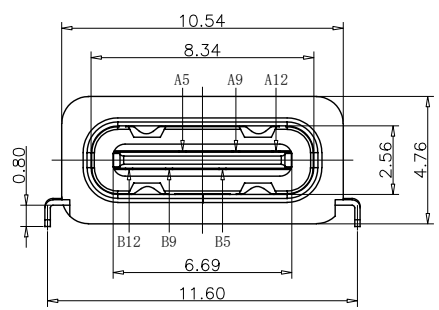
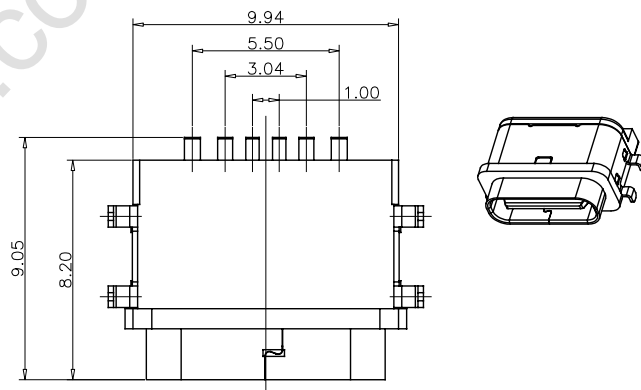
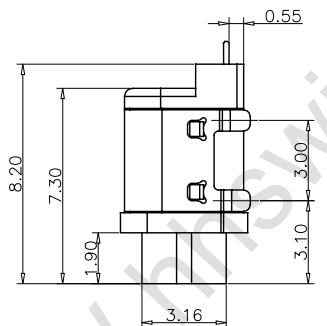
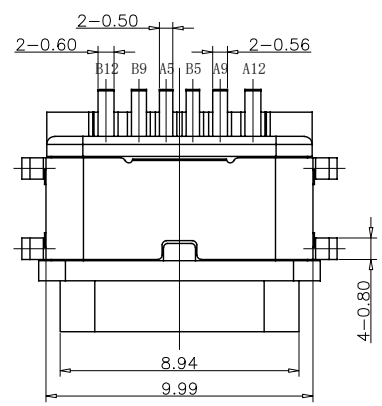


加防水圈示意图

RECOMMEND P.C.B LAYOUT (COMPONENT SIDE)  
TOLERANCE FOR PCB LAYOUT IS ±0.05



NOTES:

SPECIFICATION:

1. CURRENT RATING: 3.0A MAX
2. VOLTAGE: 100 VAC
3. TEMPERATURE RANGE: -30°C~+85°C
4. CONTACT RESISTANCE: 40 MILLION OHM MAX
5. INSULATION RESISTANCE: 100 MEGOHMS MIN
6. INSERTION FORCE: 5N~20N
7. UNMATING FORCE: 8N~20N
8. DURABILITY: 10000 CYCLES
9. WATER PROOFNESS: THIS PRODUCT IS BASED ON IPX7.

PIN ASSIGNMENT:

PIN NO	A1&B12	A4&B9	A5	B5	A9&B4	A12&B1
SIGNAL NAME	GND	VBUS	CC1	CC2	VBUS	GND
PCB PAD NO.	C1	C2	C3	C4	C5	C6

TABLE:

NO	PART	QTY	Material
1	SHELL	1	STAINLESS STEEL, NI PLATED
2	CONTACT	6	COPPER STEEL, TIN/AU/NI PLATED
3	MID PLATE	1	STAINLESS STEEL, NO PLATING
4	1MD HOUSING	1	HIGH TEMPERATURE RESISTANT PLASTIC BLACK UL94 V-0
5	2MD HOUSING	1	HIGH TEMPERATURE RESISTANT PLASTIC BLACK UL94 V-0
6	SHIELDING PLATE	1	STAINLESS STEEL, NI PLATED

DESIGN	MISS ZENG	SC ALL		TOLERANCE	ANGLES
DRAWING	MISS LI	ANIT		mm	X.X ± 0.30
CHECK	Mr. ZENG	SIZE	A4 : 210*297	X.XX ± 0.20	X.X ± 2°
APPROVAL		VERSION	01	X.XXX ± 0.10	

品名: TYPE-C  
型号: TYPE-C 6P 防水 四脚插板



东莞市航宏电子科技有限公司  
Dongguan Hanghong Electronics Co., Ltd.