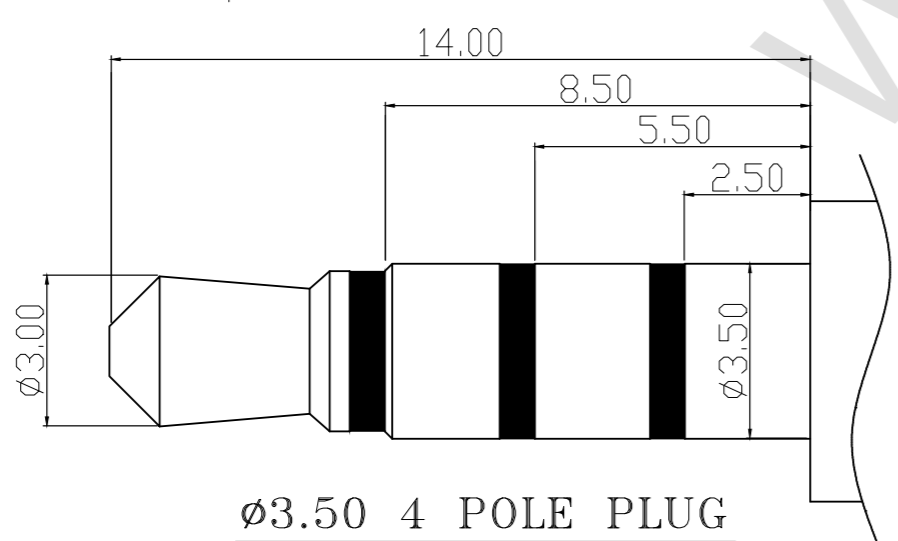


NOTES:
 1.MATERIAL:
 1.1 HOUSING: UL94V-0,COLOR: BLACK
 1.2 CONTACT: SUS ALLOY
 2.PLATING:
 2.1 CONTACTS PLATING: SEE ORDERING INFORMATION
 3.RATING
 3.1 OPERATING VOLTAGE: 30VAC/DC.
 3.2 CURRENT RATING: 0.5A AC/DC.
 3.3 OPERATING TEMPERATURE: -25°C~+85°C



DESIGN	MISS ZENG	SC ALL	
DRAWING	MISS LI	ANIT	mm
CHECK	Mr. ZENG	SIZE	A4 : 210*297
APPROVAL		VERSION	01

TOLERANCE	ANGLES
.X ±0.38	
.XX ±0.25	

品名:	耳机插座
型号:	PJ-3567



东莞市航宏电子科技有限公司
Dongguan Hanghong Electronics Co., Ltd.