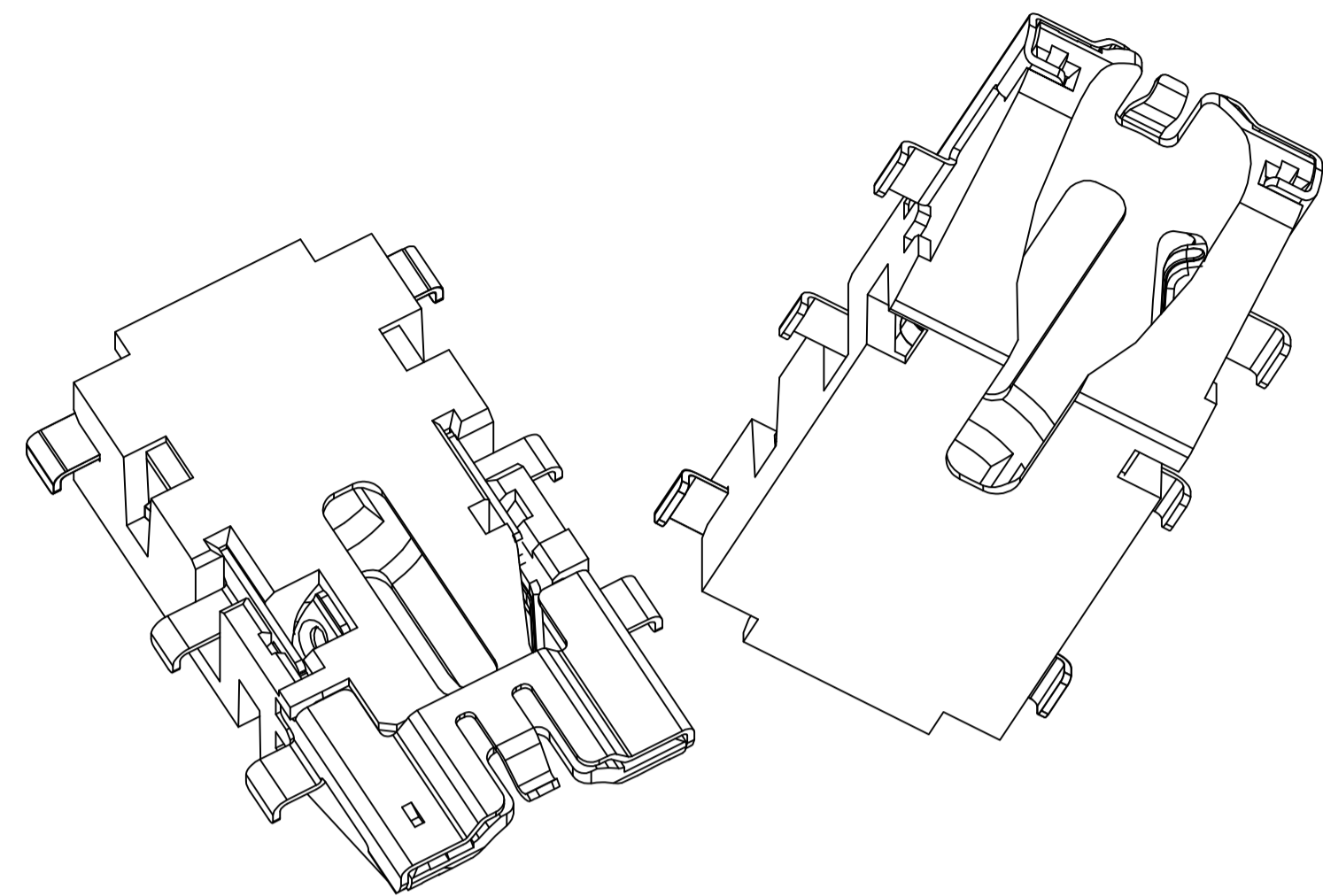
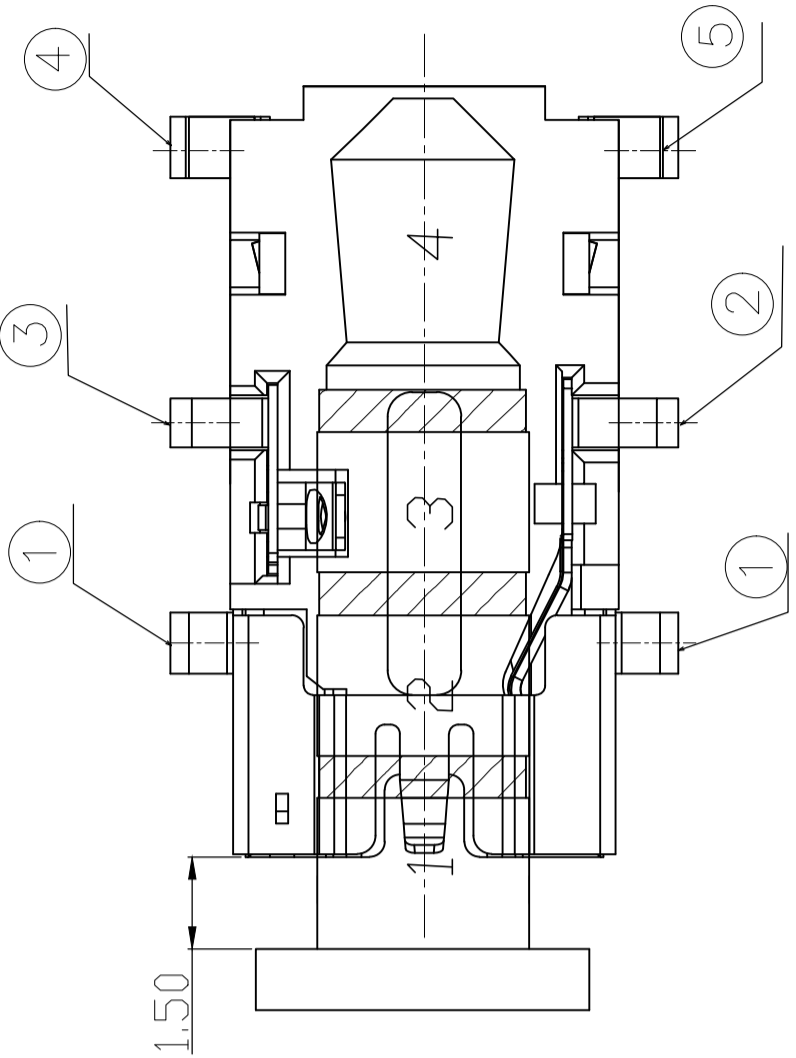
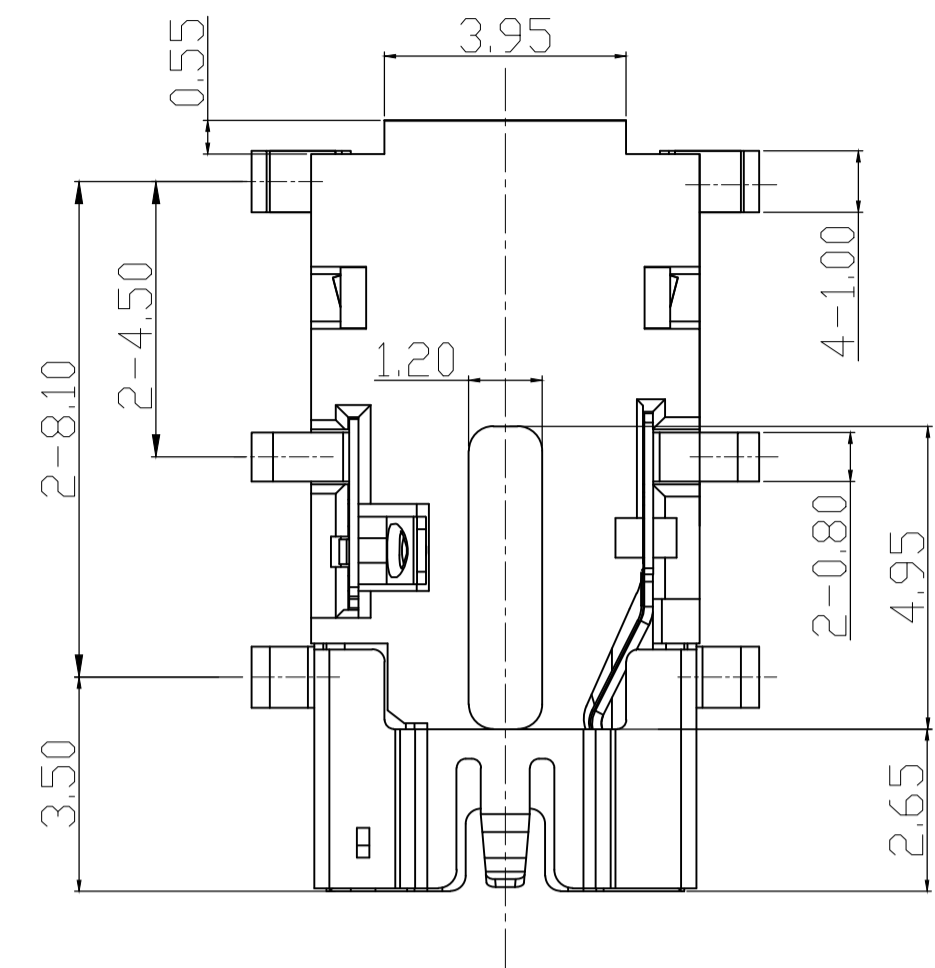


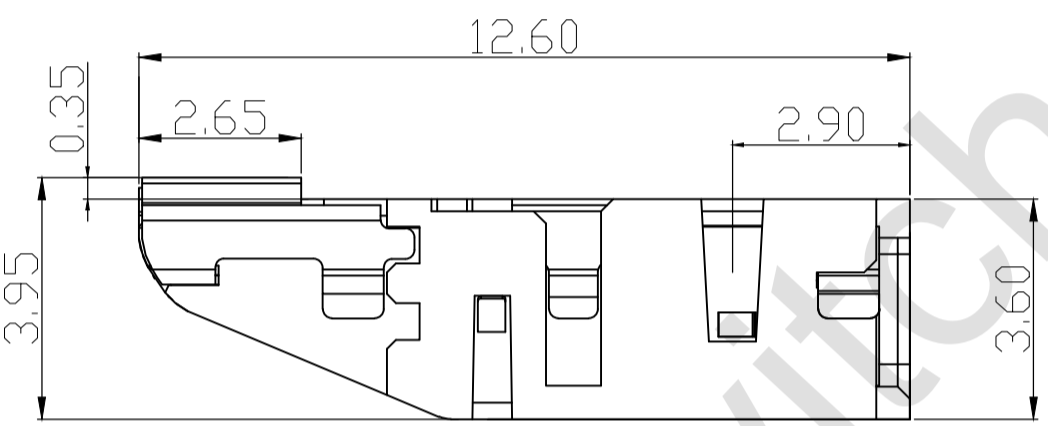
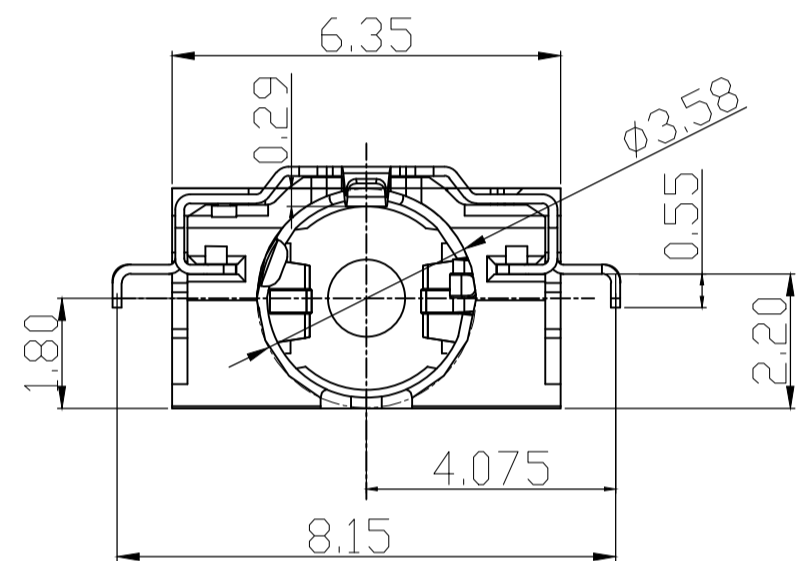
F E D C B A

1



1

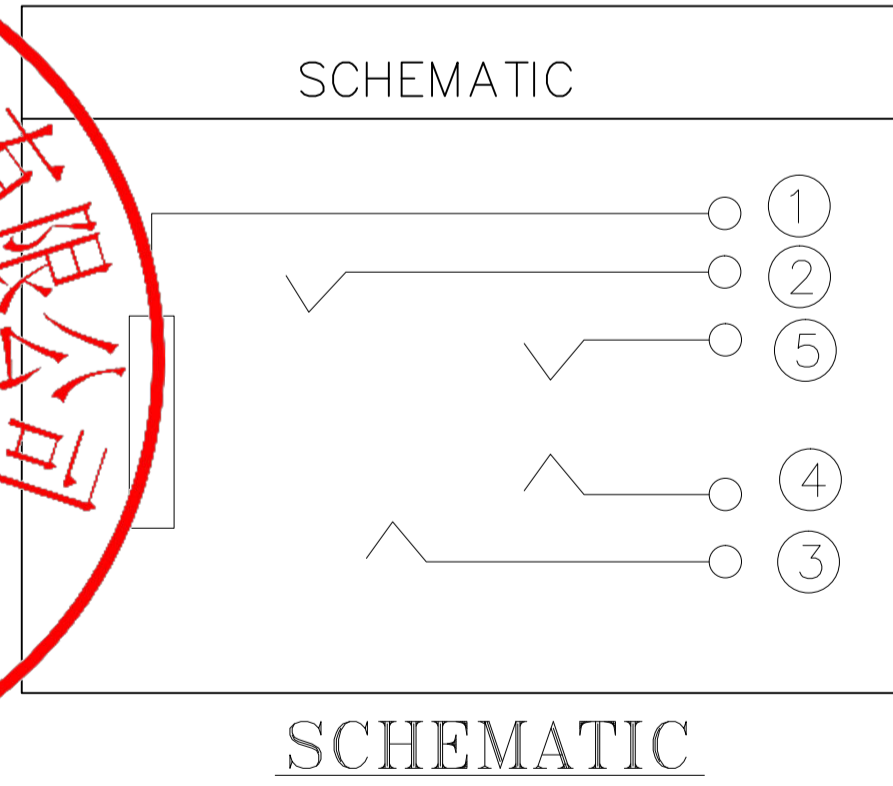
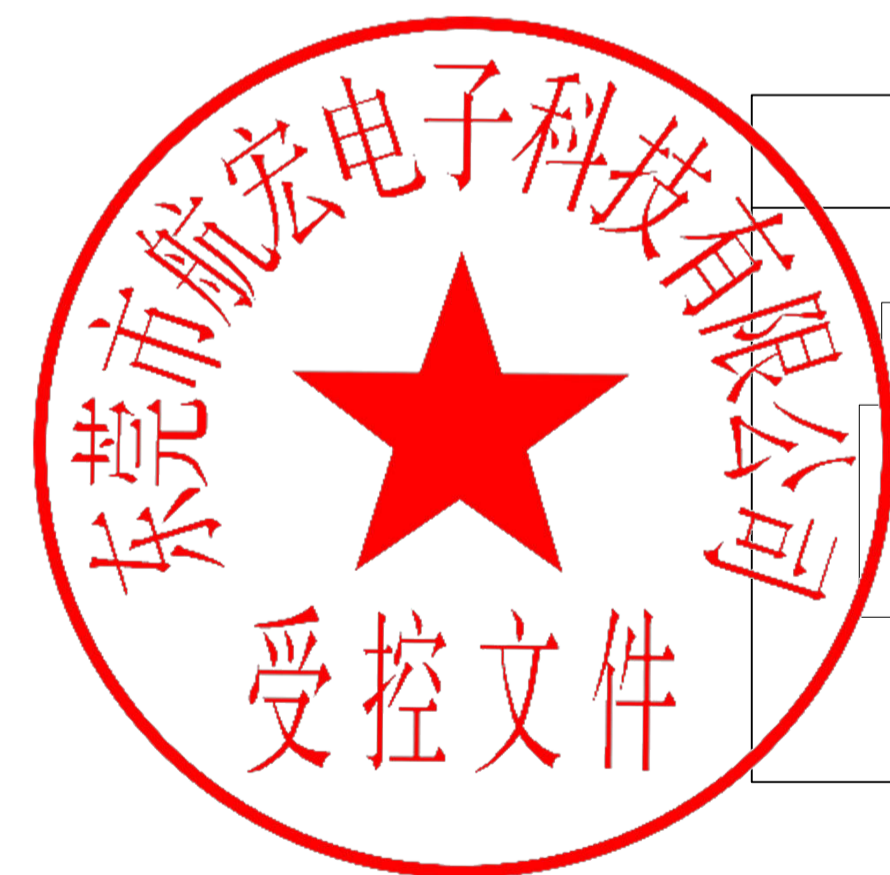
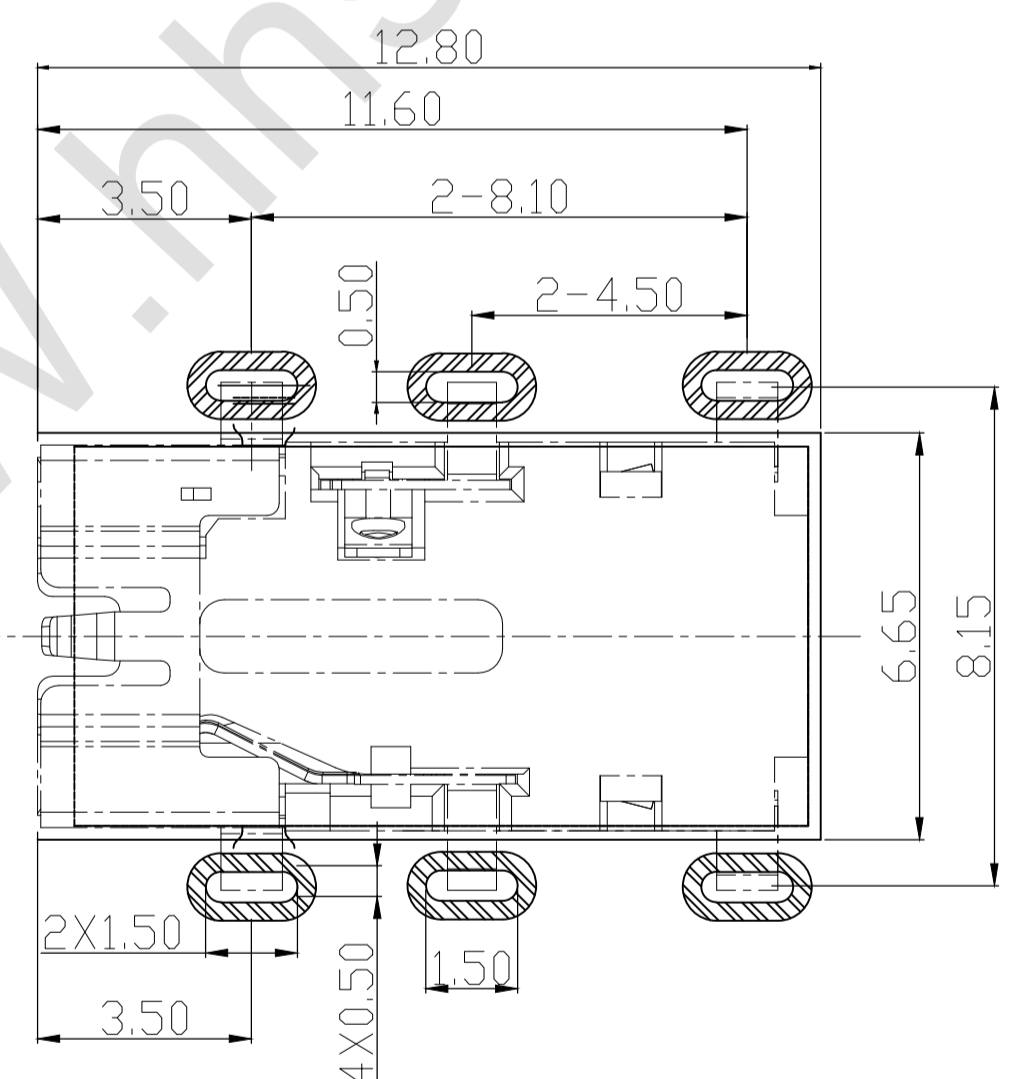
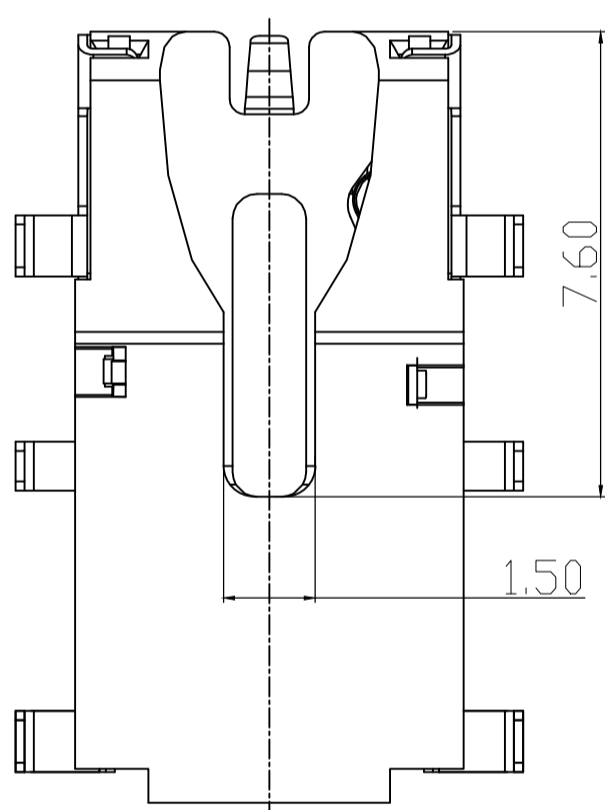
2



- NOTES:
- MATERIAL:
    - HOUSING: UL94V-0, COLOR: BLACK
    - CONTACT: SUS ALLOY
  - PLATING:
    - CONTACTS PLATING: SEE ORDERING INFORMATION
  - RATING:
    - OPERATING VOLTAGE: 30VAC/DC.
    - CURRENT RATING: 0.5A AC/DC.
    - OPERATING TEMPERATURE: -25°C~+85°C

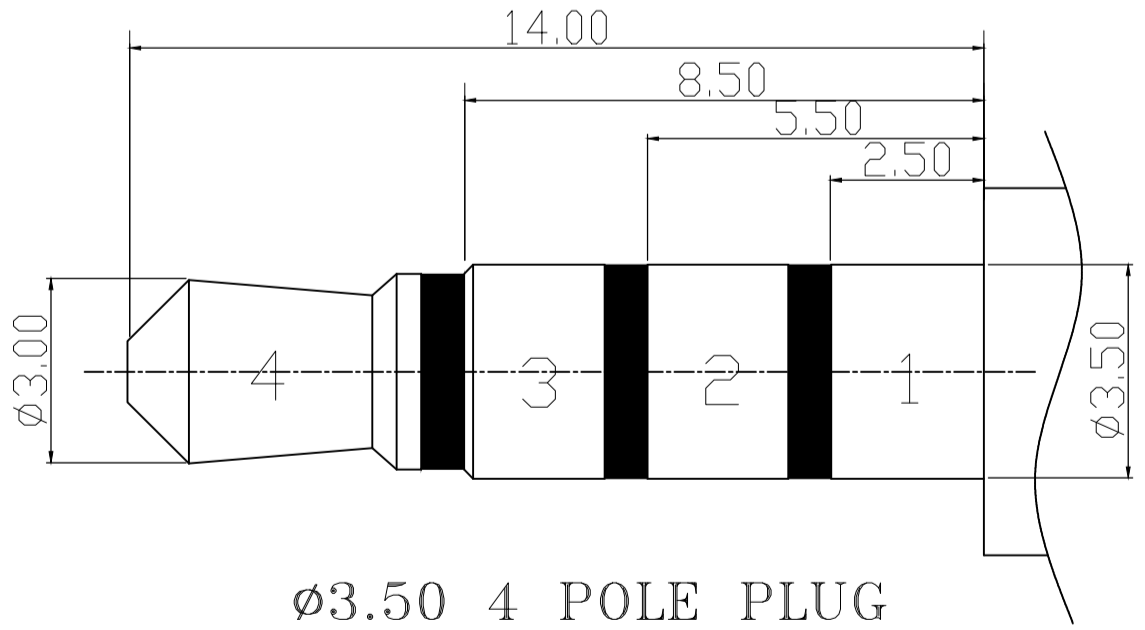
2

3



3

4



RECOMMEND PCB LAYOUT  
TOLERANCE ±0.05

SCHMATIC

4

DESIGN	MISS ZENG	SC ALL		未注公差 TOLERANCE		品名: 沉板耳机插座	
DRAWIGN	MISS LI	ANIT		MM	X. ±0.38		型号: PJ-3509
CHECK	Mr. ZENG	SIZE		A4: 210*297	X. X ±0.25		
APPROVAL		VERSION		01			



**东莞市航宏电子科技有限公司**  
Dongguan Hanghong Electronics Co., Ltd.

F E D C B A