

RECOMMEND PCB LAYOUT
TOLERANCE ±0.05

NOTES:

1.MATERIAL:

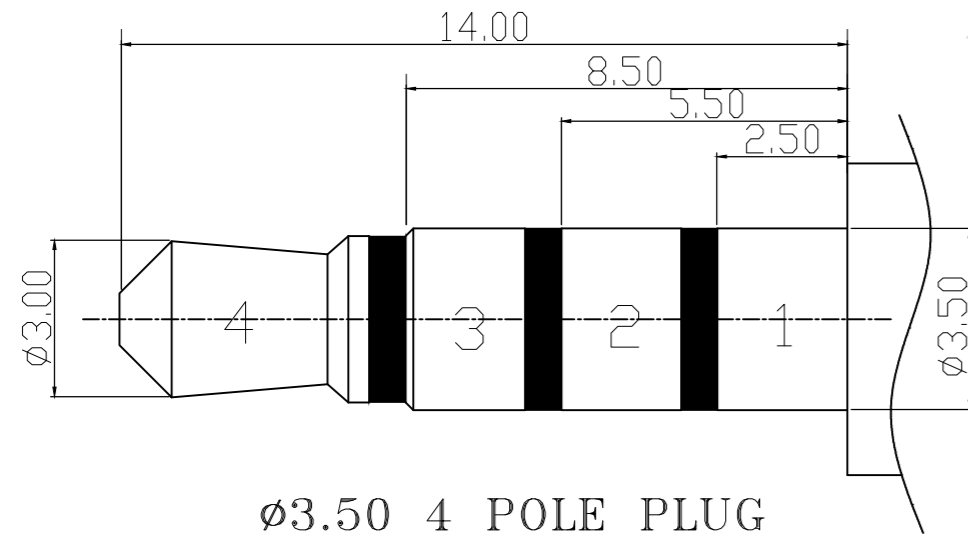
- 1.1 HOUSING: UL94V-0,COLOR: BLACK
- 1.2 CONTACT: SUS ALLOY

2.PLATING:

- 2.1 CONTACTS PLATING: SEE ORDERING INFORMATION

3.RATING

- 3.1 OPERATING VOLTAGE: 30VAC/DC.
- 3.2 CURRENT RATING: 0.5A AC/DC.
- 3.3 OPERATING TEMPERATURE: -25°C~+85°C



DESIGN	MISS ZENG	SC ALL			TOLERANCE	ANGLES	品名 :
DRAWIGN	MISS LI	ANIT	mm		.X ±0.38		耳机插座
CHECK	Mr. ZENG	SIZE	A4 : 210*297		.XX ±0.25		型号 :
APPROVAL		VERSION	01				PJ-35009



东莞市航宏电子科技有限公司
Dongguan Hanghong Electronics Co., Ltd.