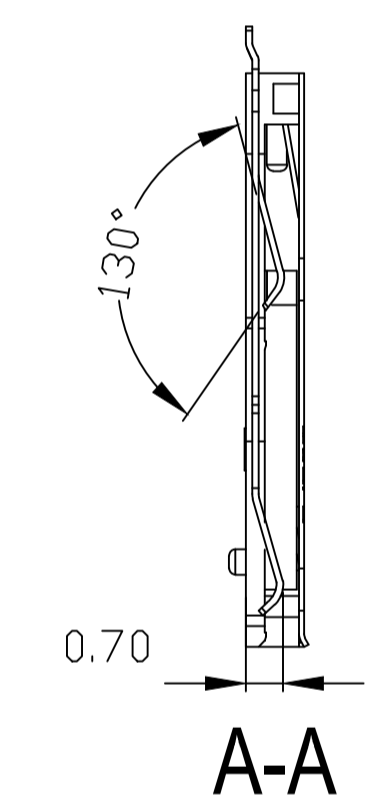
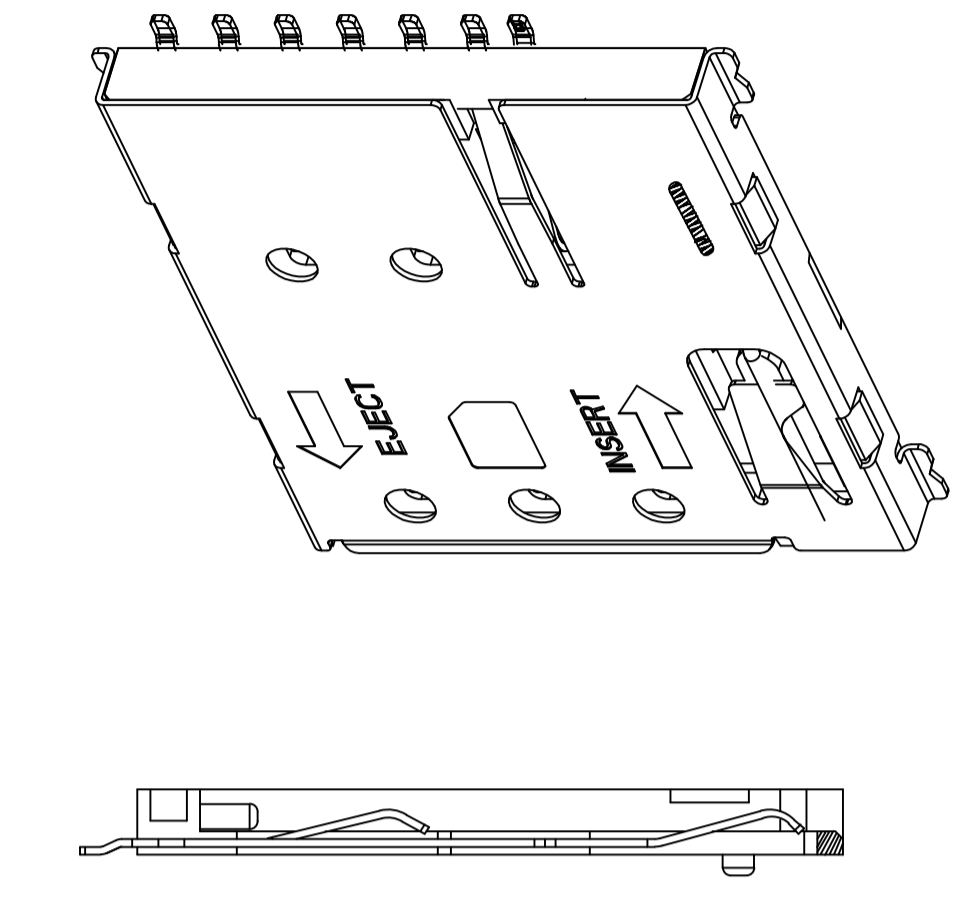
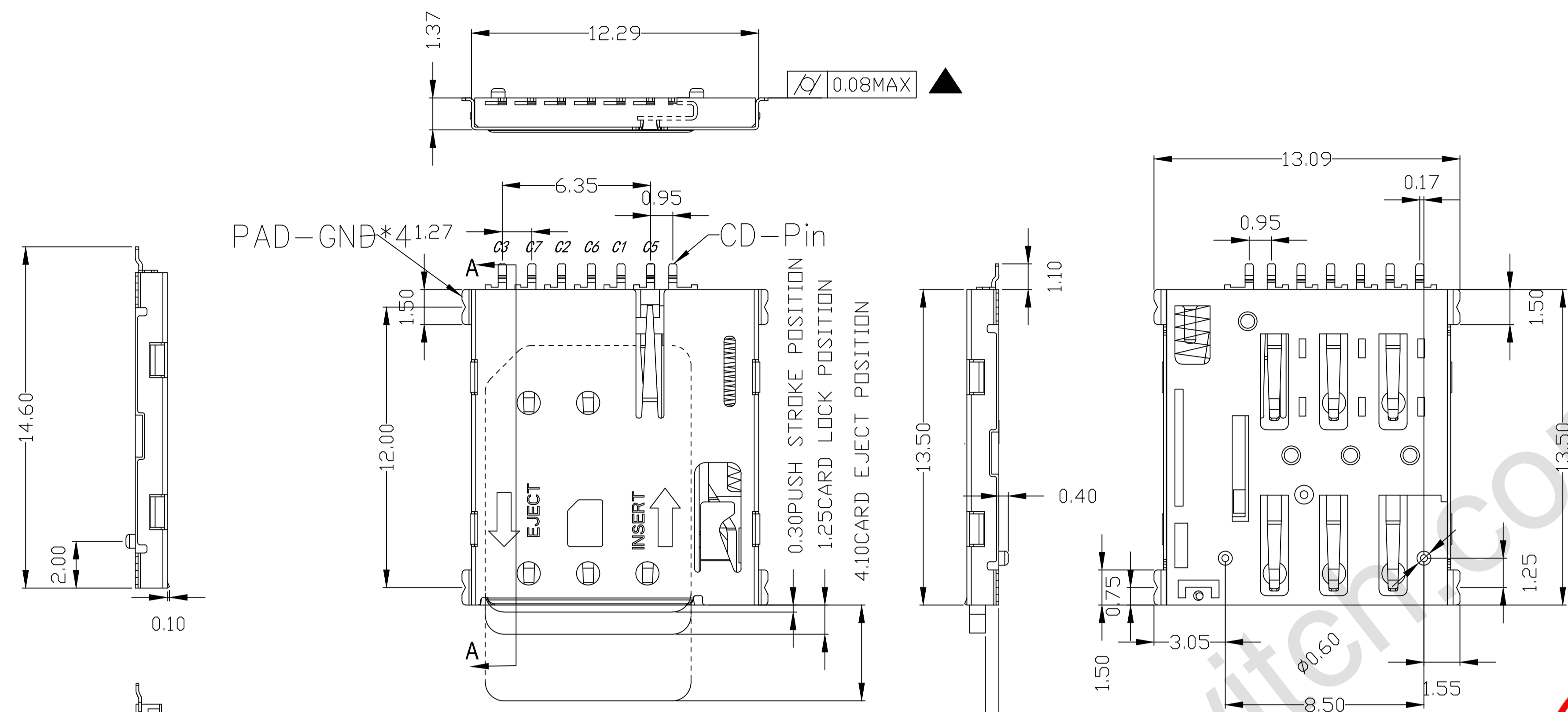
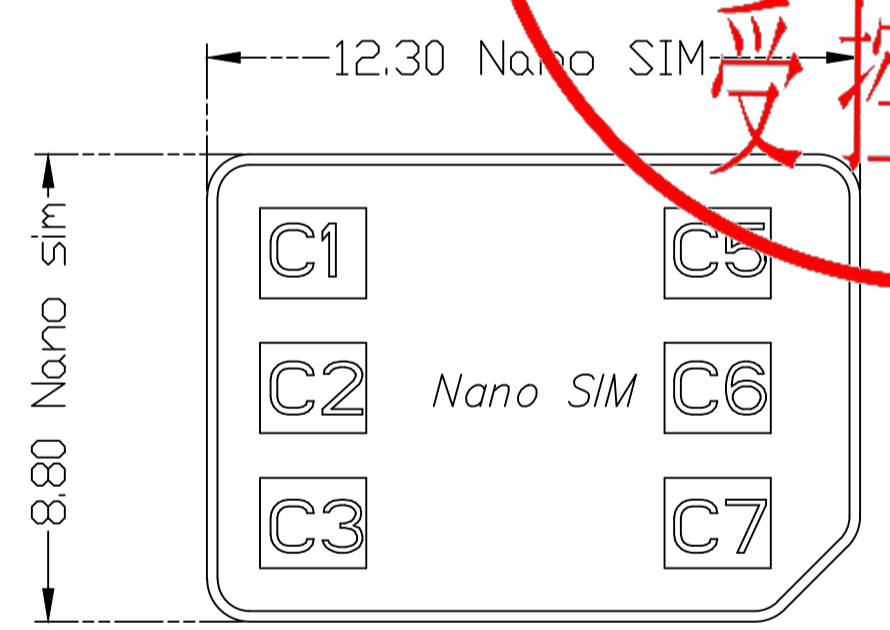
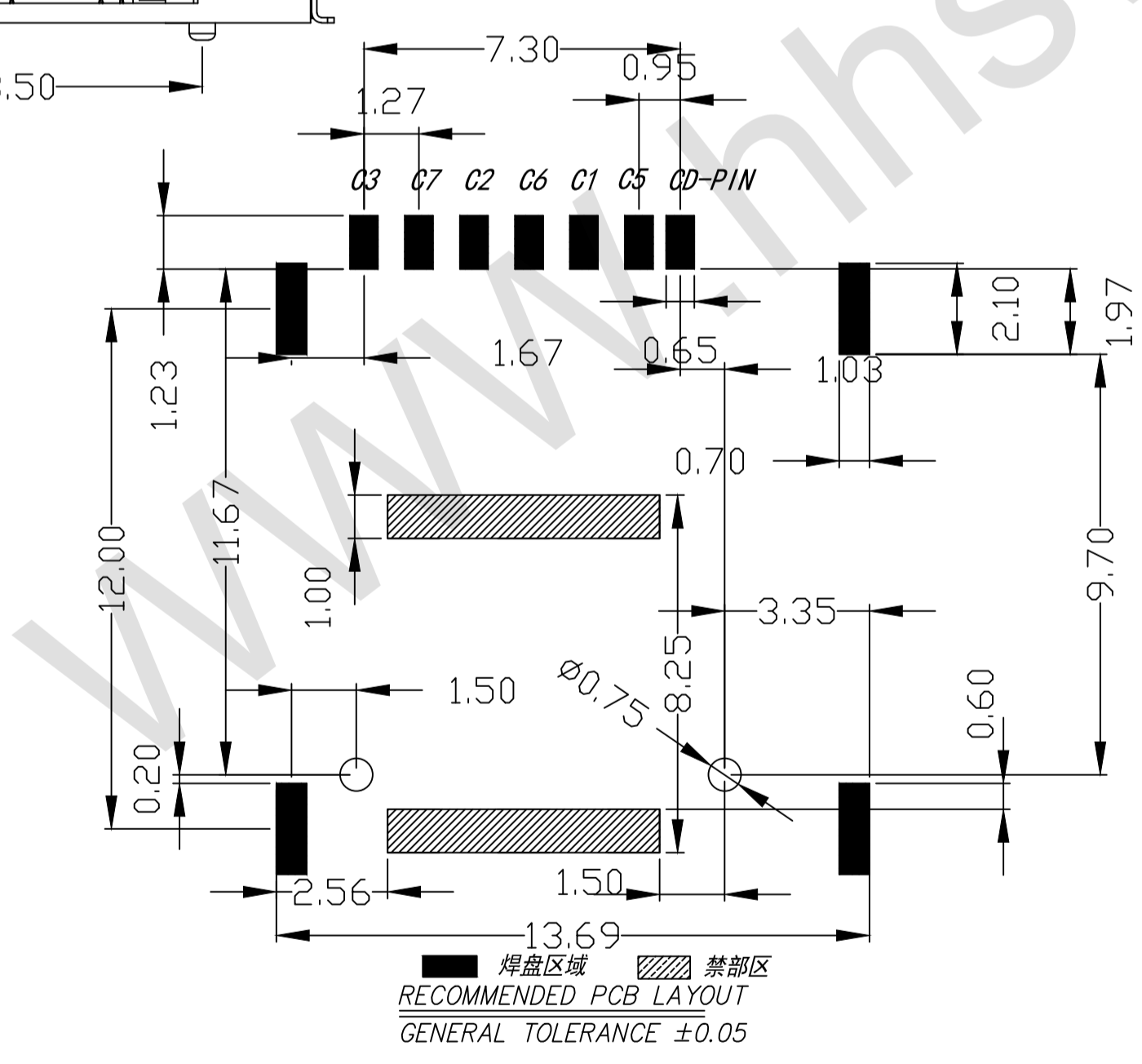
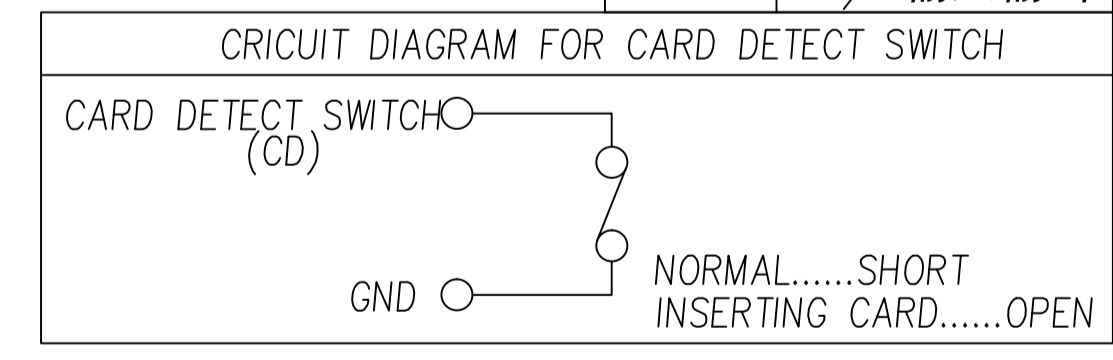


* 所有原材料, 生产制程, 电镀必须符合ROHS要求



SIM pin assignment	
PIN#	Name
C1	VC供电电压
C2	RS重置
C3	CL时钟
C5	GN接地
C6	VP程序电压
C7	I/O输入输出



Specification

MATERIAL:
 Insulator: High Temperature Thermoplastic, UL 94V-0.
 Contact: Copper Alloy
 SHELL: SUS
PLATING:
 Contact: Plated 50u'' Ni, Over All AU GOLD 1U
 Shell: Plated 50u'' Ni Over All, PAD Au 1U

Electrical:
 Current Rating :0.5Amps max.
 Voltage Rating :125V AC/DC
 Ambient Temperature Range :-20° C~+60° C
 Storage Temperature Range :-40° C~+70° C
 Ambient Humidity Range :95% R.H. Max.
 Contact Resistance:100m max. Ω
 Insulation Resistance:1000M min./500VDC
 Mating Cycles:3000 Insertions
 产品耐温温度: 260度

DESIGN	MISS ZENG	SC ALL		未注公差 TOLERANCE		品名: NANO-SIM 卡座PUSH 1.37H带CD	
DRAWIGN	MISS LI	ANIT		MM	X.X ±0.15		X.XXX ±0.05
CHECK	Mr. ZENG	SIZE		A4: 210*297	X.XX ±0.10		ANGULAR:±1°
APPROVAL		VERSION		01			

品名:
NANO-SIM 卡座PUSH 1.37H带CD
 型号:
HH-0191AAAA07A



东莞市航宏电子科技有限公司
 Dongguan Hanghong Electronics Co., Ltd.