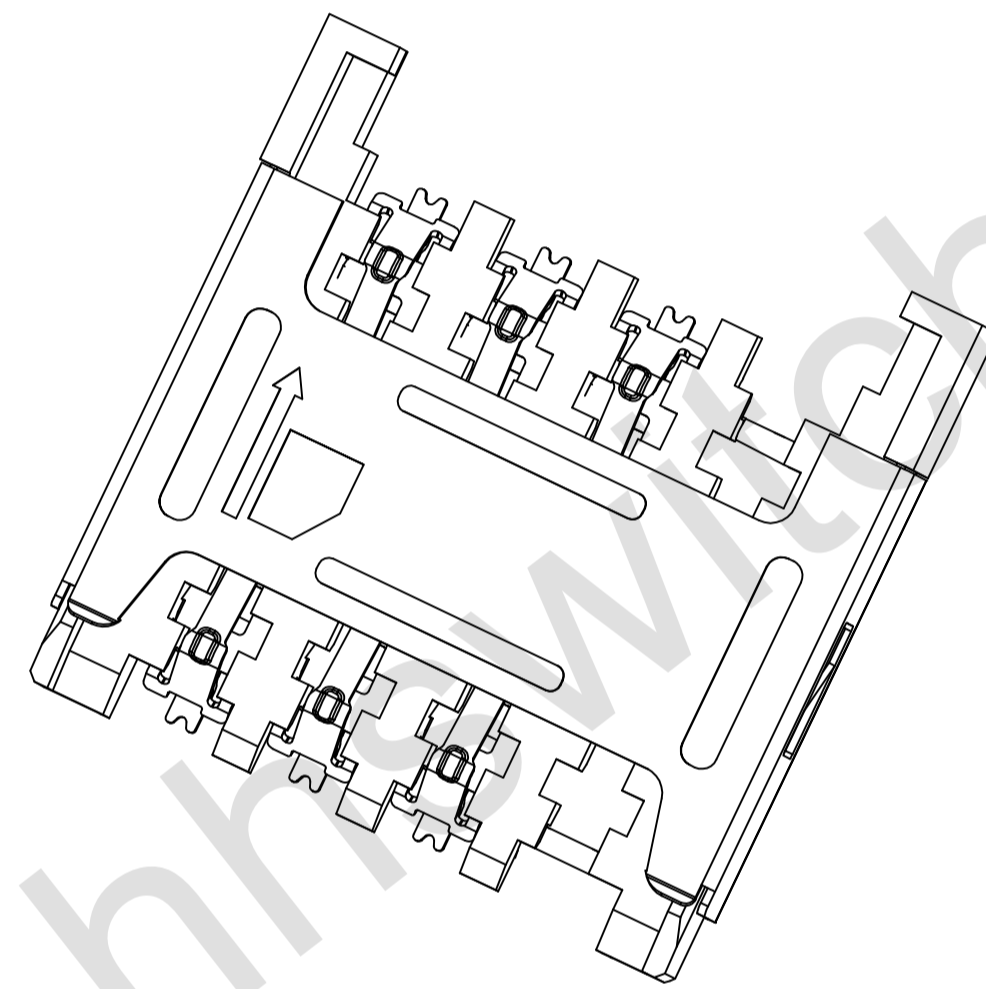
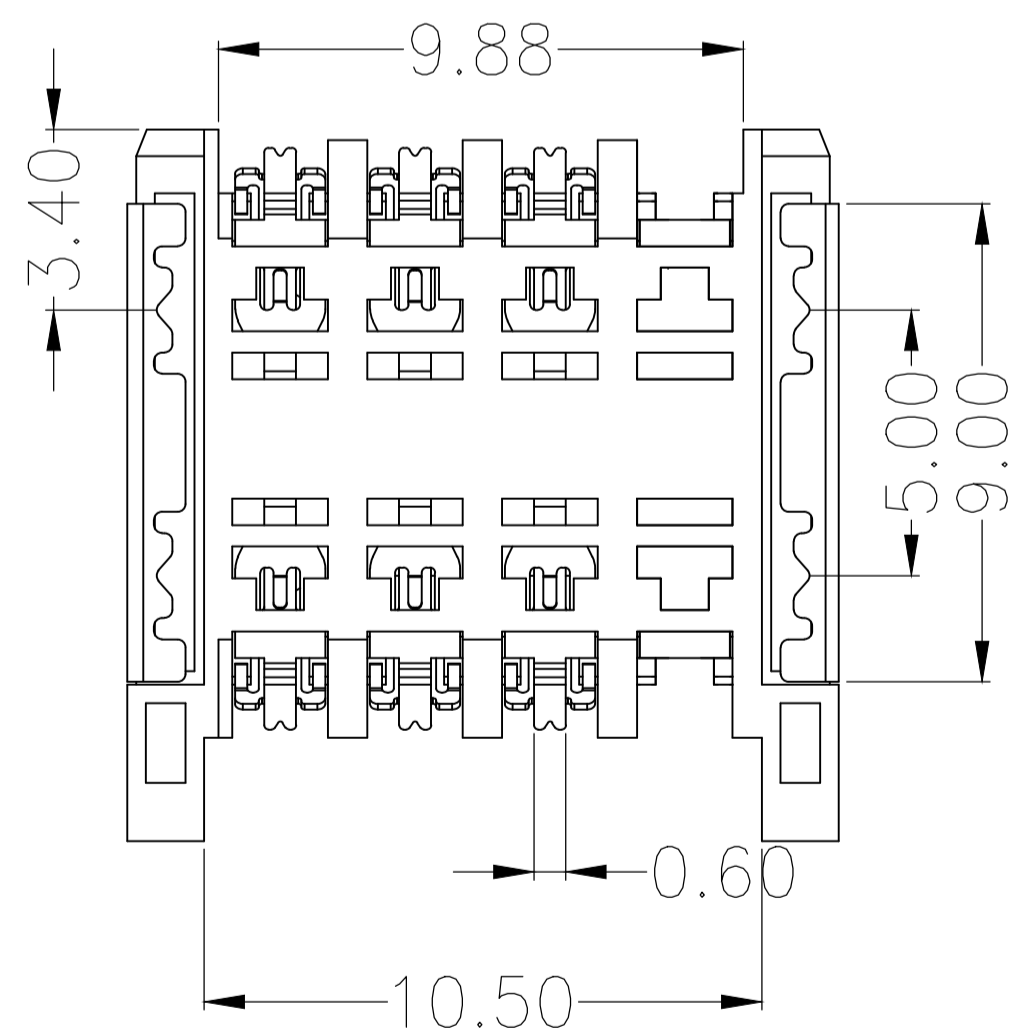
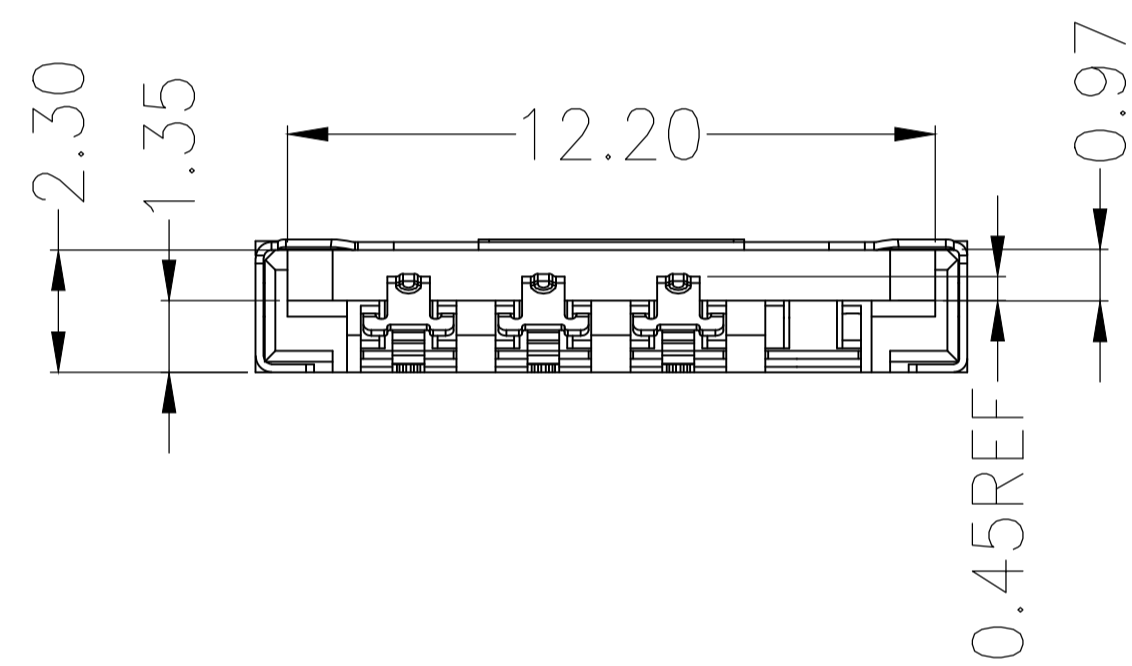
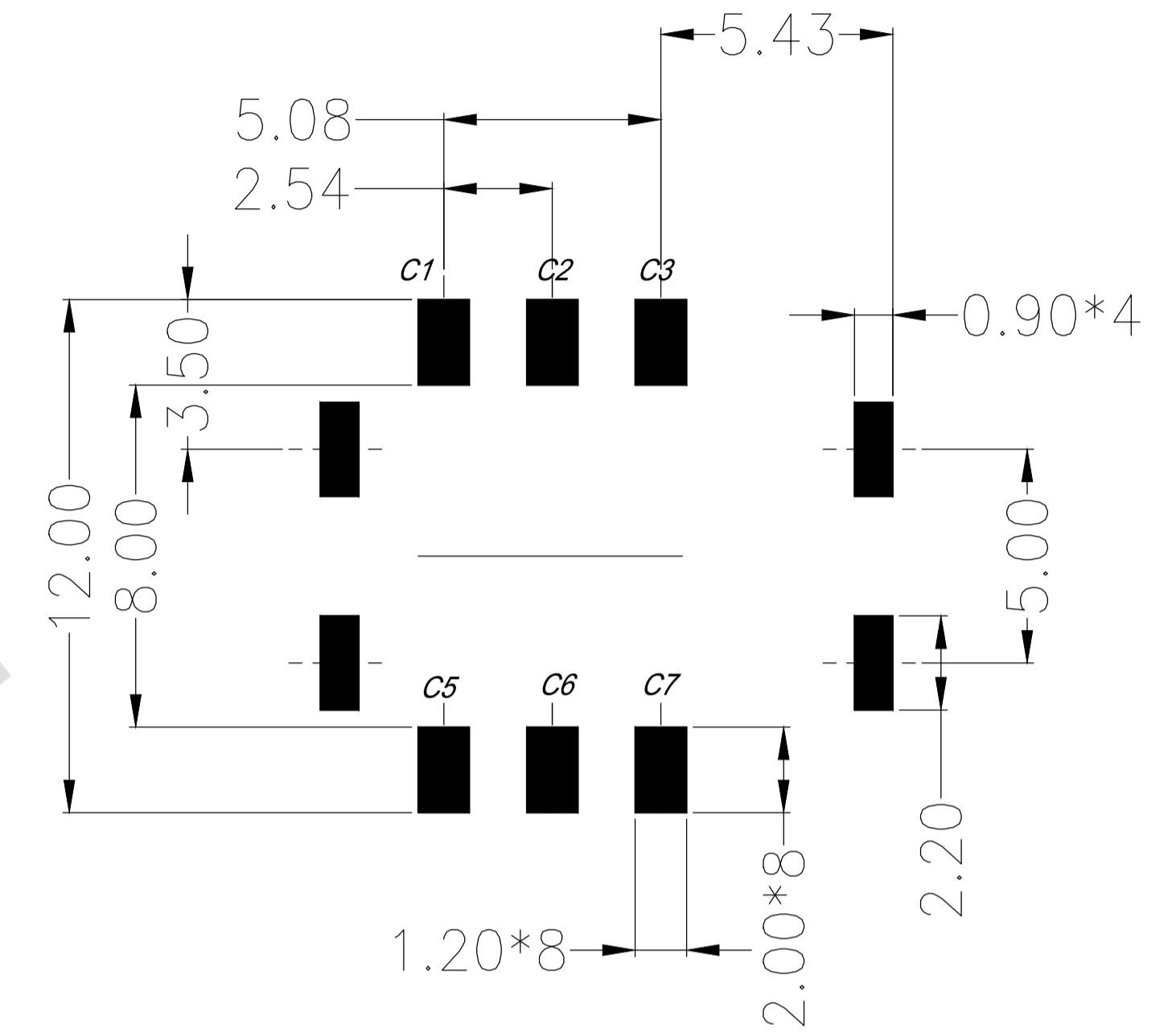
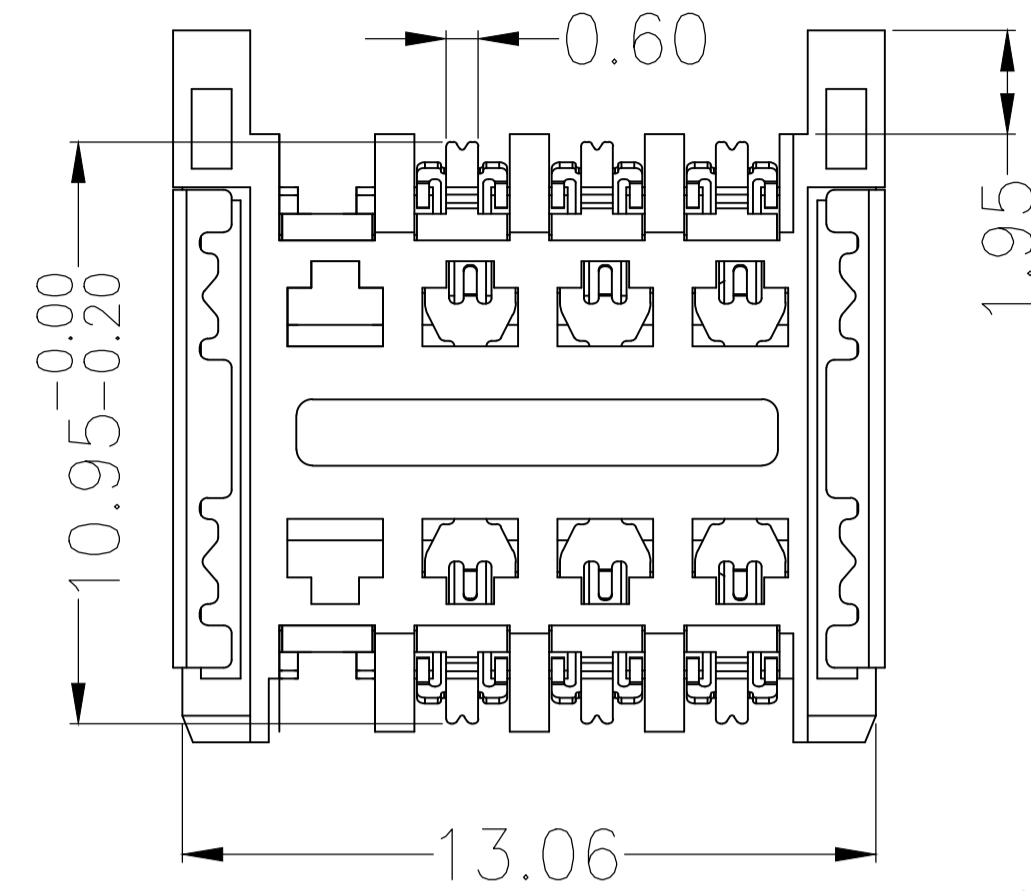
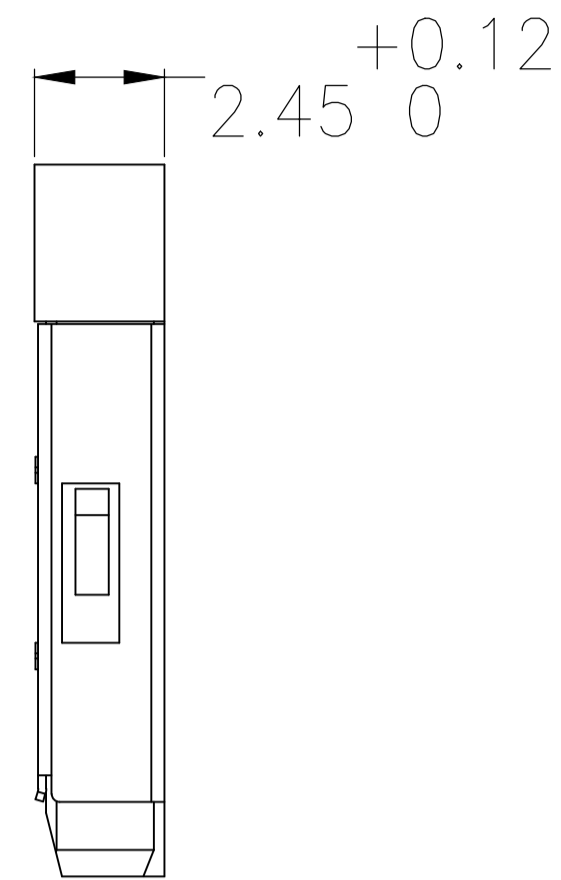
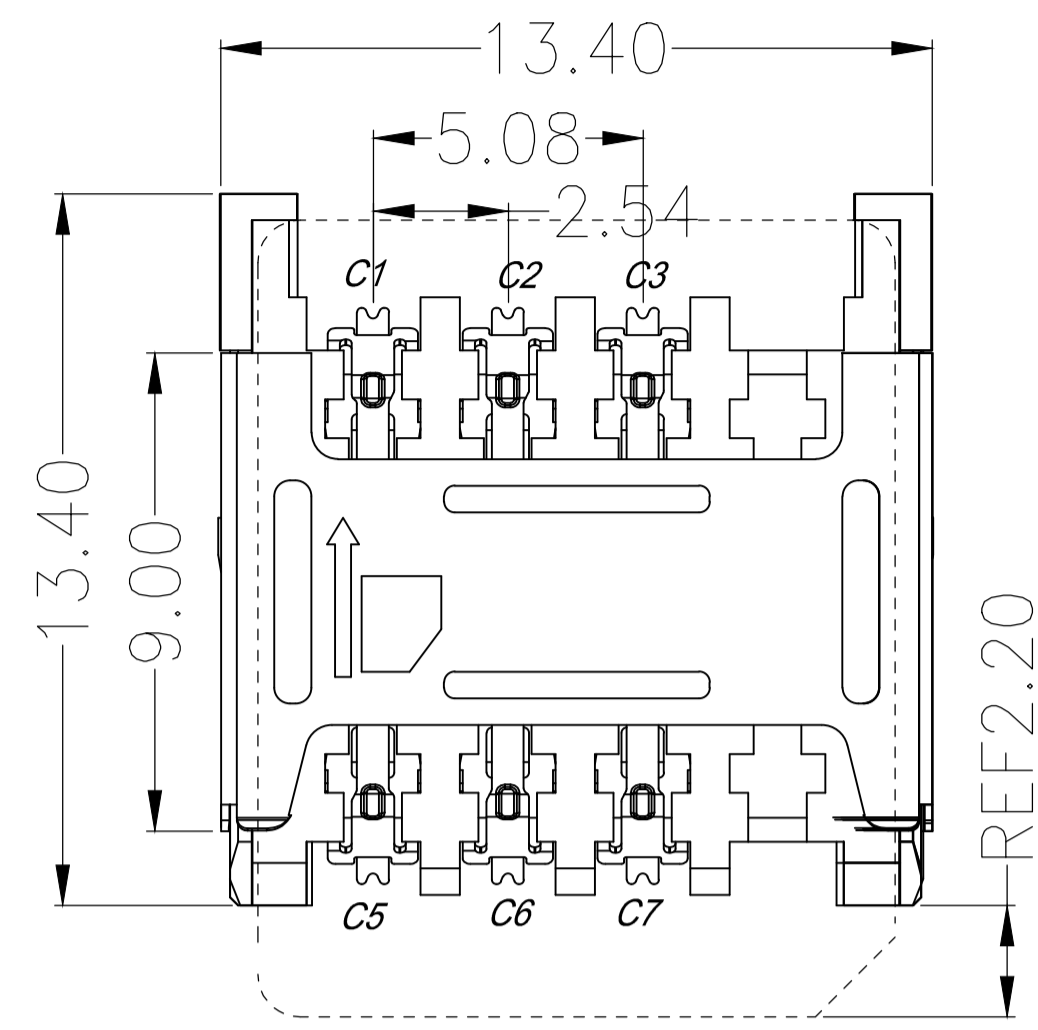


* 所有原料材质, 生产制程, 电镀必须符合ROHS要求



Specification

MATERIAL:

Insulator: High Temperature Thermoplastic, UL 94V-0.

Contact: C5210

SHELL: SUS

PLATING:

Contact: Plated 50u'' Ni Over Contact Au 1u, Pad Au 1u

Shell: Plated 50u'' Ni Overall, Pad Au 1u

Electrical:

Current Rating :0.5mA AC/DC max.

Voltage Rating :125V AC/DC

Ambient Temperature Range :-40° C~+85° C

Storage Temperature Range :-40° C~+85° C

Ambient Humidity Range :95% R.H. Max.

Contact Resistance:100mΩmax.

Insulation Resistance:1000MΩmin./500VDC

Mating Cycles:5,000 Insertions

Reflow peak temp.: 260° C ±5° C, 3~5 S

SIM pin assignment	
PIN#	Name
C1	VCC 供电电压
C2	RST 重置
C3	CLK 时钟
C4	RESERVED
C5	GND 接地
C6	VPP 程序电压
C7	I/O 输入输出
C8	RESERVED



DESIGN	MISS ZENG	SC ALL			未注公差 T00LERANCE		品名: MICRO SIM 卡座NO-PUSH 2.4H 6P 型号: HH-0341AAAG06A
DRAWIGN	MISS LI	ANIT	MM		X.X ±0.15	X.XXX ±0.05	
CHECK	Mr. ZENG	SIZE	A4: 210*297		X.XX ±0.10	ANGULAR:±1°	
APPROVAL		VERSION	01				



东莞市航宏电子科技有限公司
Dongguan Hanghong Electronics Co., Ltd.