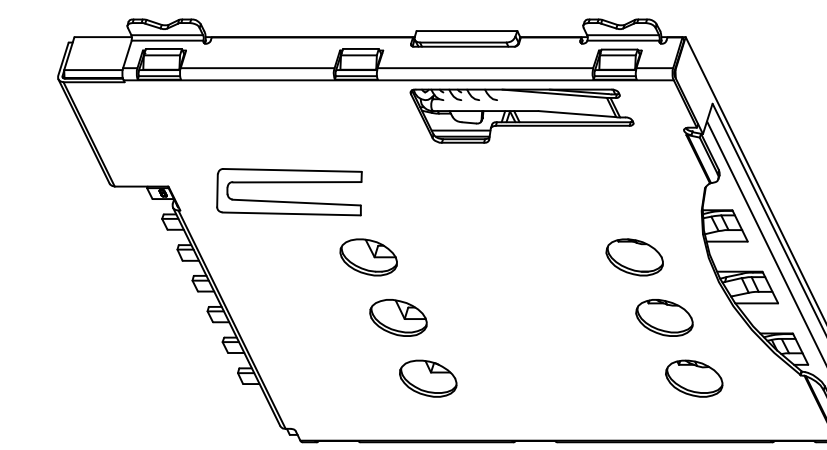


* 所有原料材质, 生产制程, 电镀必须符合ROHS要求



Specification

MATERIAL:

Insulator: High Temperature Thermoplastic, UL 94V-0.
Contact: Copper Alloy
SHELL: SUS

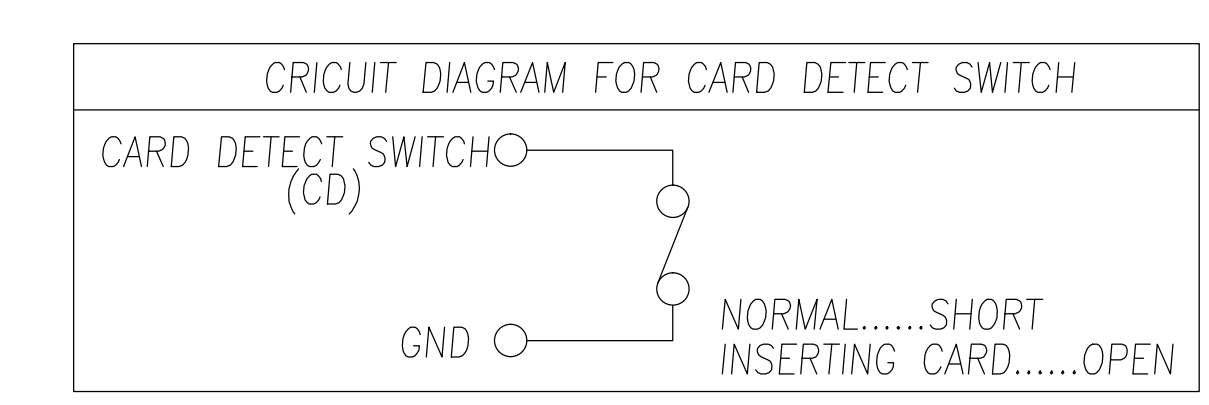
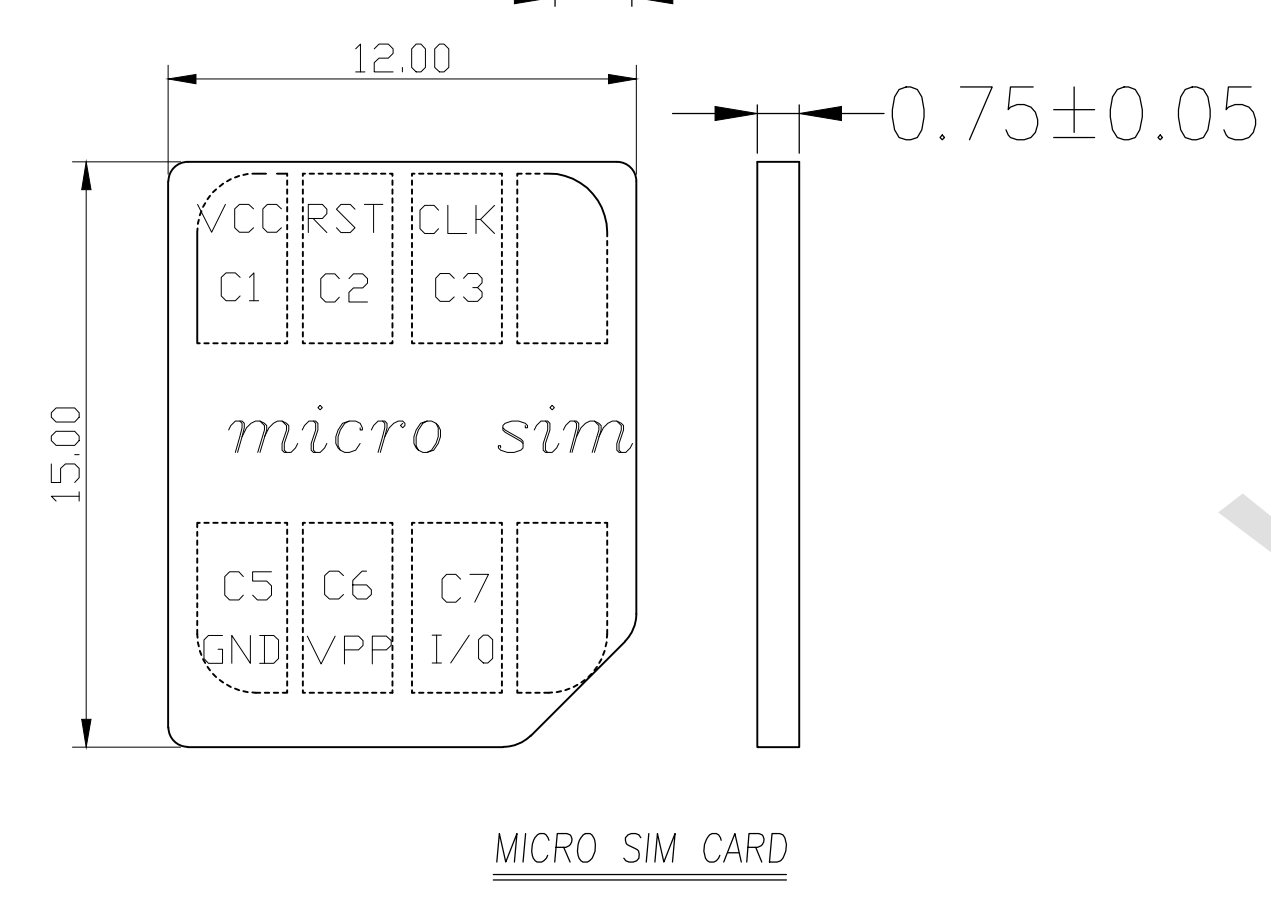
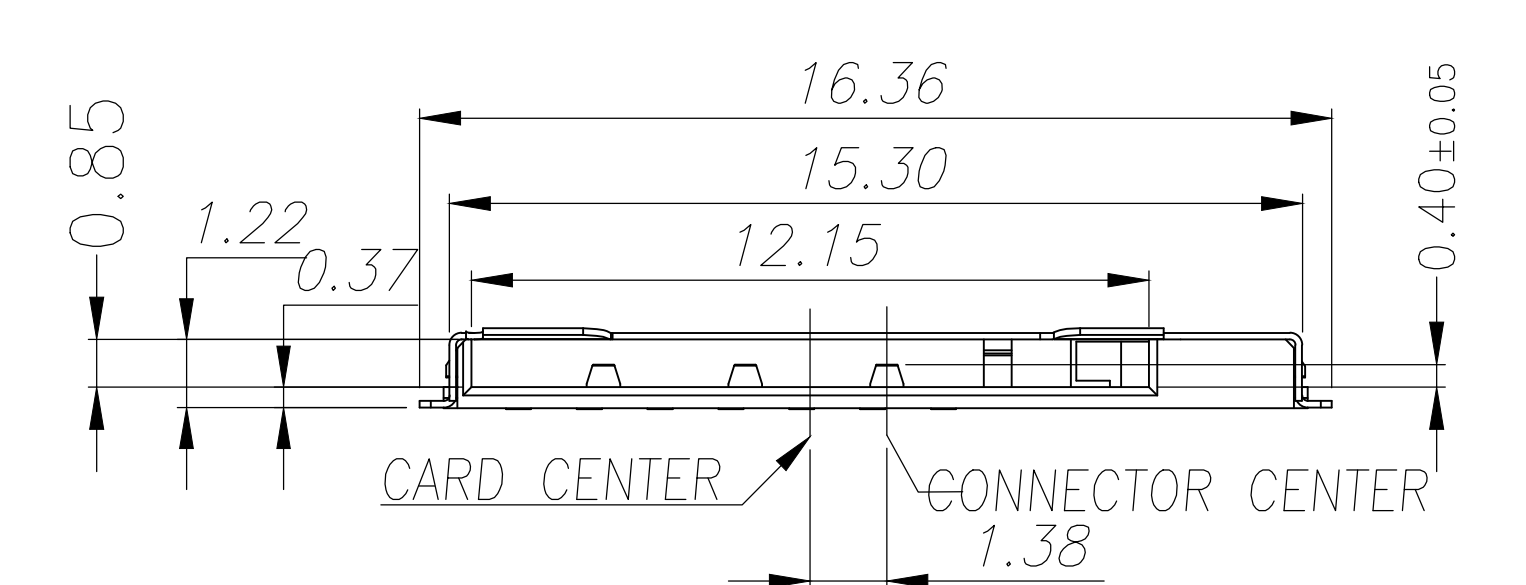
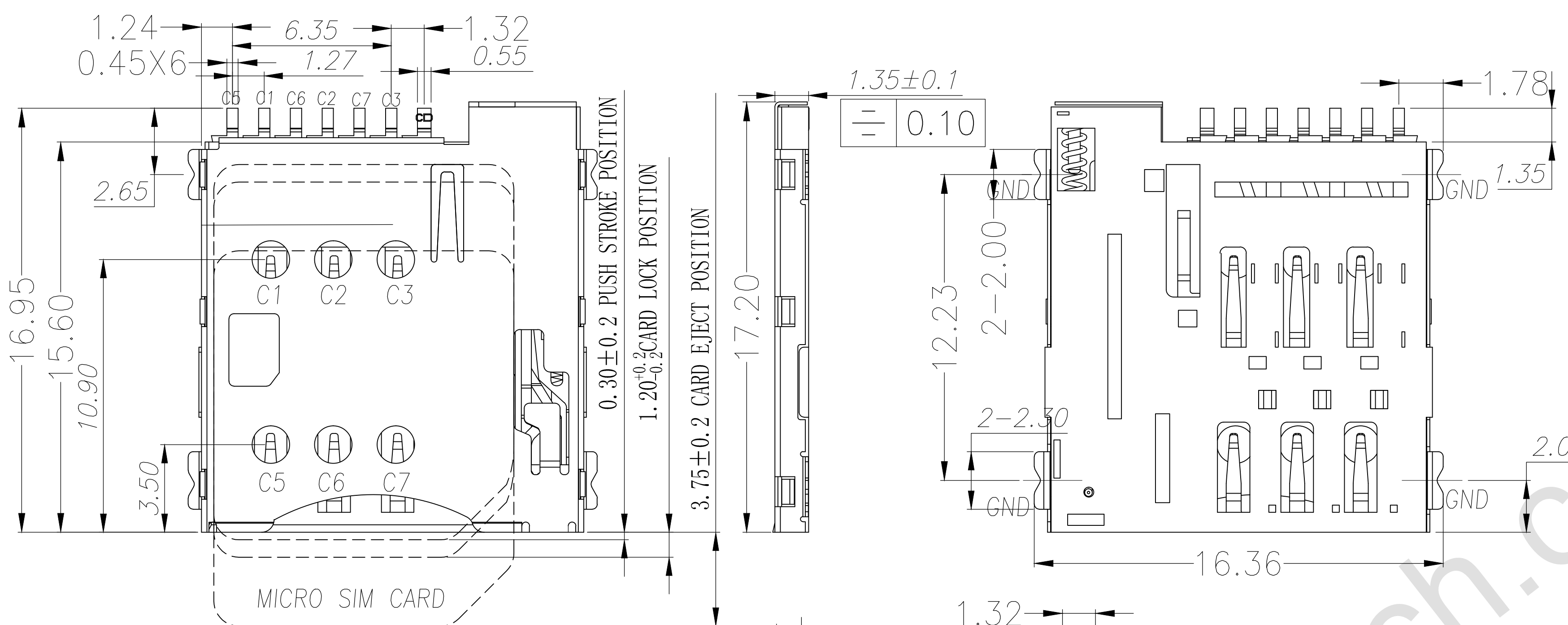
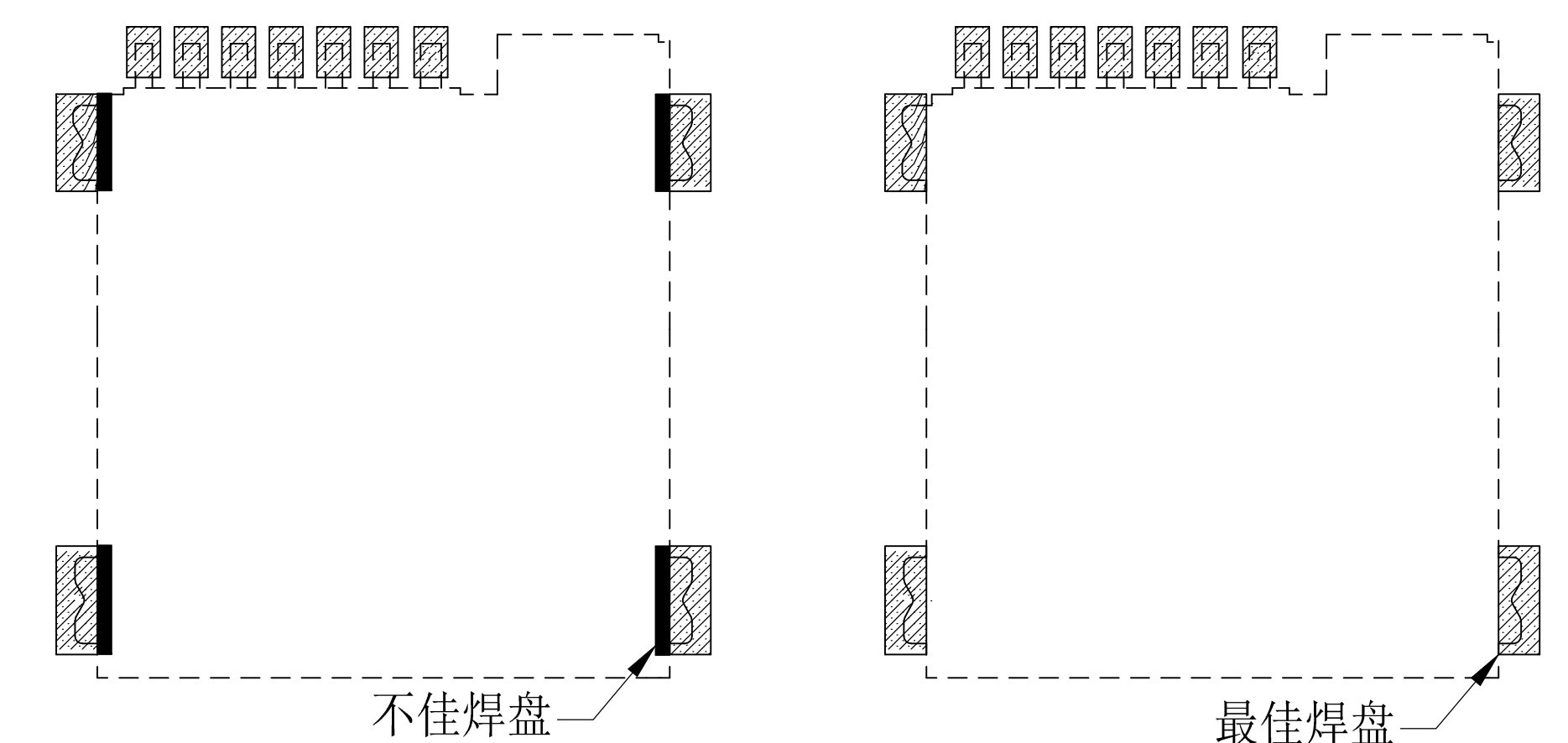
PLATING:

Contact: Plated 50u'' Ni Overall Contact Au 1U
Shell: Plated 50u'' Ni Overall
Plated 1u''Au Selective Contact Area

Electrical:

Current Rating :0.5Amps max
Voltage Rating :5V AC/DC
Ambient Temperature Range :-40° C~+85° C
Storage Temperature Range :-40° C~+85° C
Ambient Humidity Range :95% R.H. Max.
Contact Resistance:100m max. Ω
Insulation Resistance:1000MΩmin./500VDC
产品耐高温: 260
Mating Cycles:3000Min Insertions

SIM pin assignment	
PIN#	Name
C1	VCC供电电压
C2	RST重置
C3	CLK时钟
C5	GND接地
C6	VPP程序电压
C7	I/O输入输出



PCB 焊盘区
RECOMMENDED PCB LAYOUT
GENERAL TOLERANCE ±0.05

DESIGN	MISS ZENG	SC ALL		未注公差 TOLERANCE	品名:		
DRAWIGN	MISS LI	ANIT		MM	X. X ±0.15	ANGULAR:±1°	MICRO-SIM 卡座PUSH 1.35带CD
CHECK	Mr. ZENG	SIZE		A4: 210*297	X.XX ±0.10		型号:
APPROVAL		VERSION		01	X. XXX ±0.05		HH-0121BAAG07A



东莞市航宏电子科技有限公司
Dongguan Hanghong Electronics Co., Ltd.