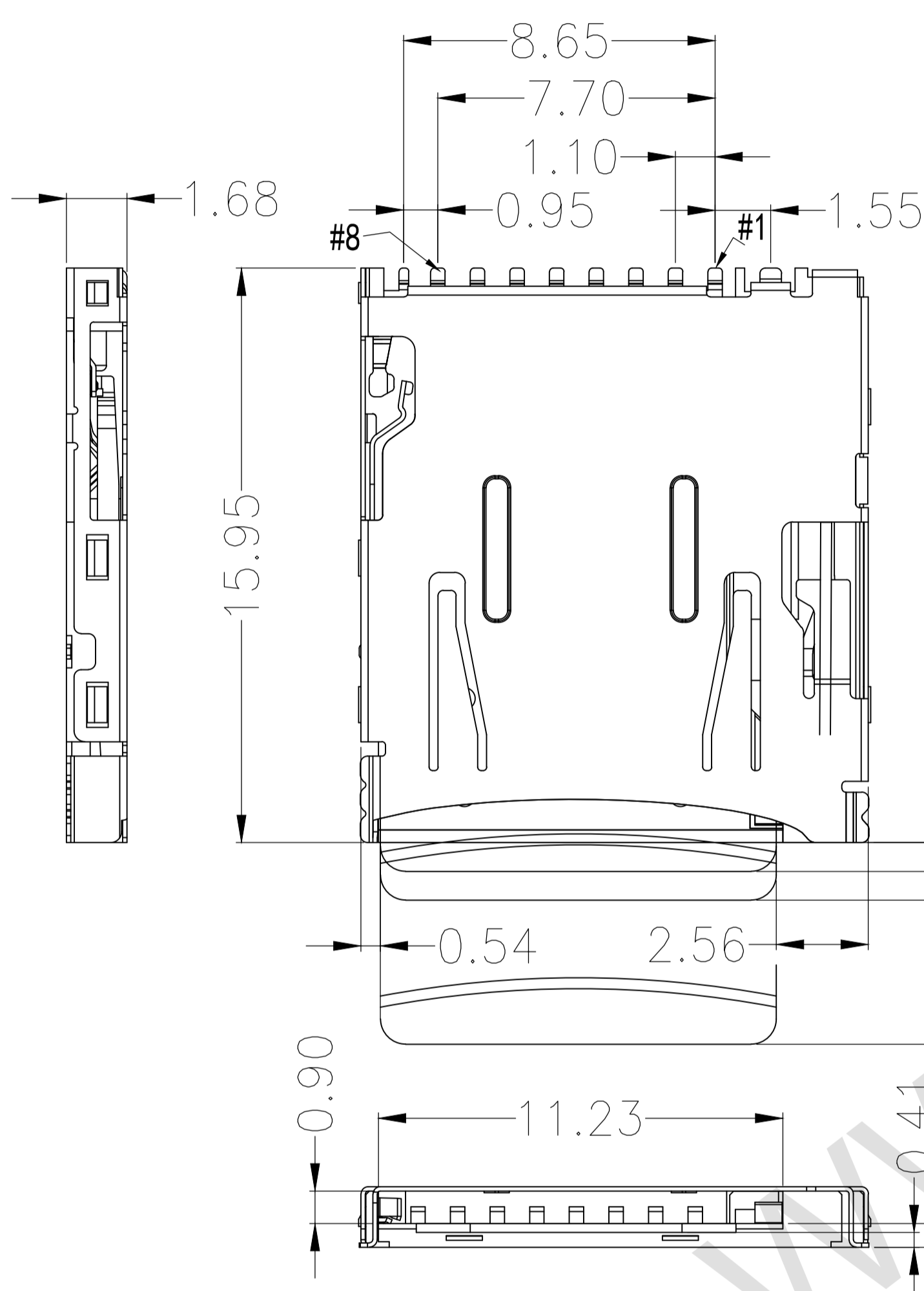
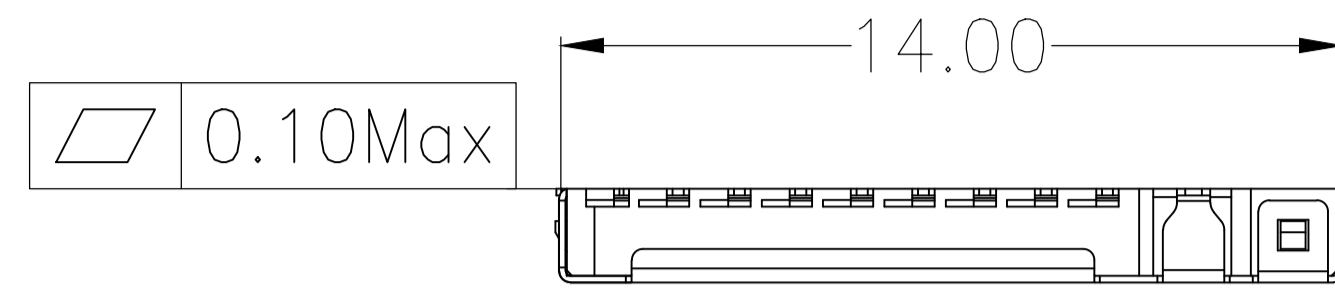


* 所有原材料, 生产制程, 电镀必须符合ROHS要求

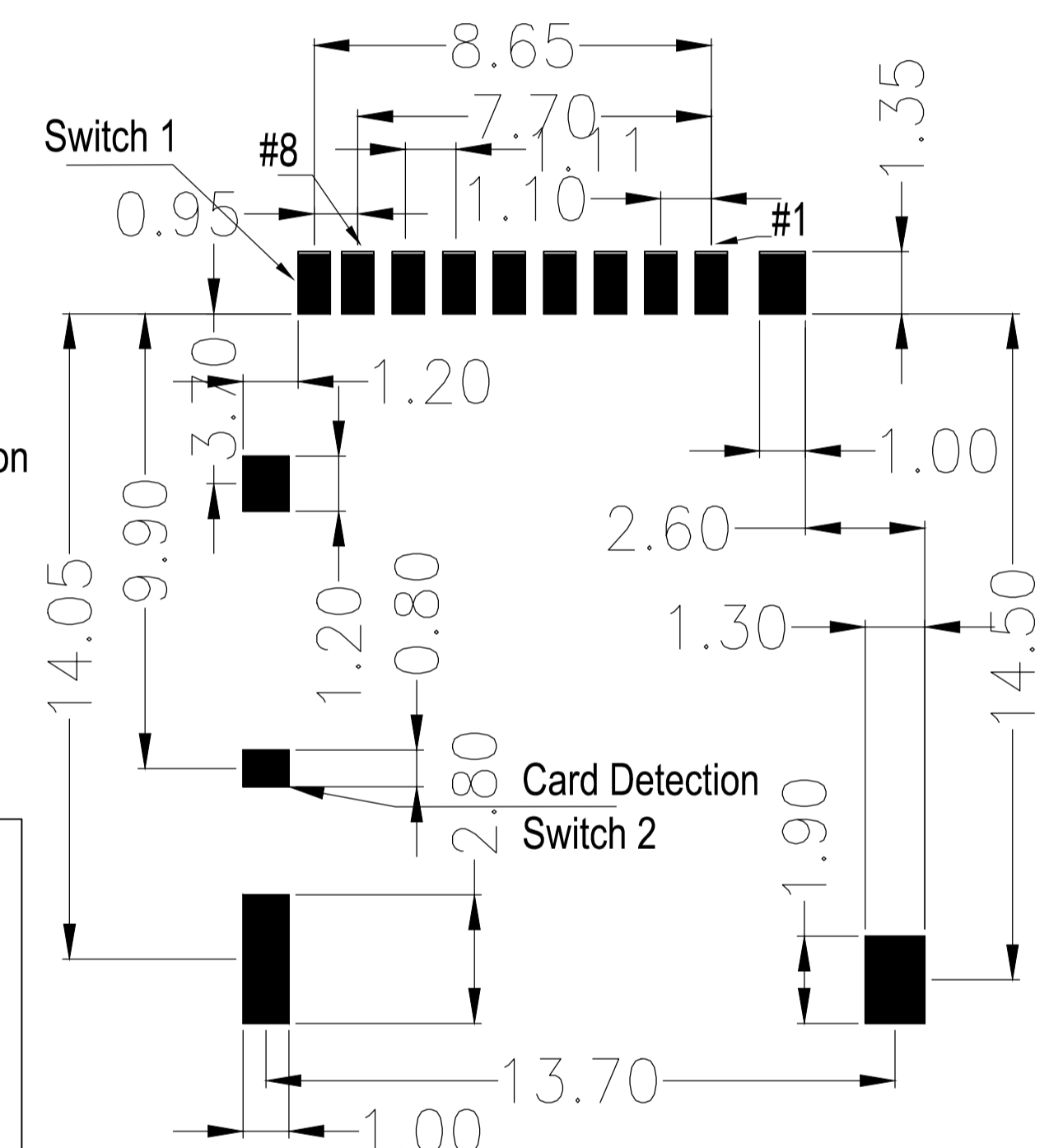
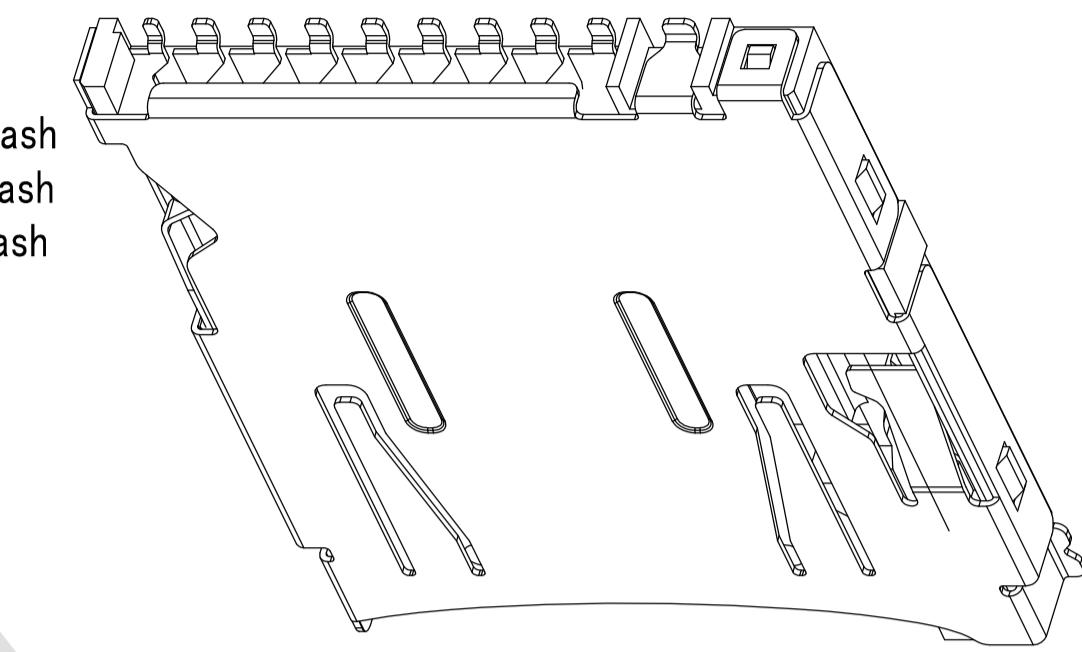
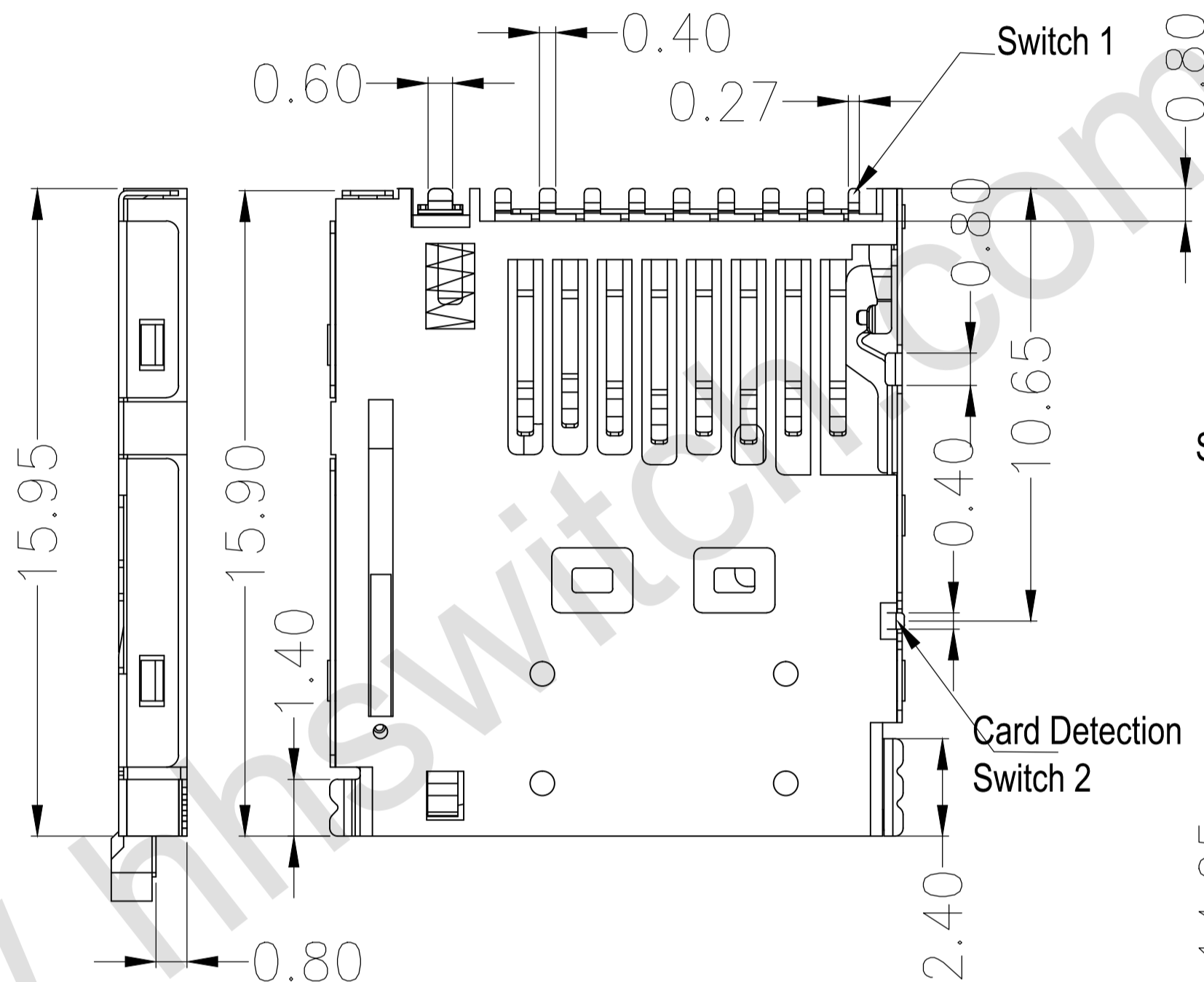
PIN NO.	PIN ASSIGNMENT
1#	DAT2 信号
2#	CD/DAT3 信号
3#	CMD 数据输入
4#	VDD 电压/电源
5#	CLK 时钟
6#	VSS 接地
7#	DAT0 信号
8#	DAT1 信号

PART NUMBER:
XNT-026 1 X A A X 10 A

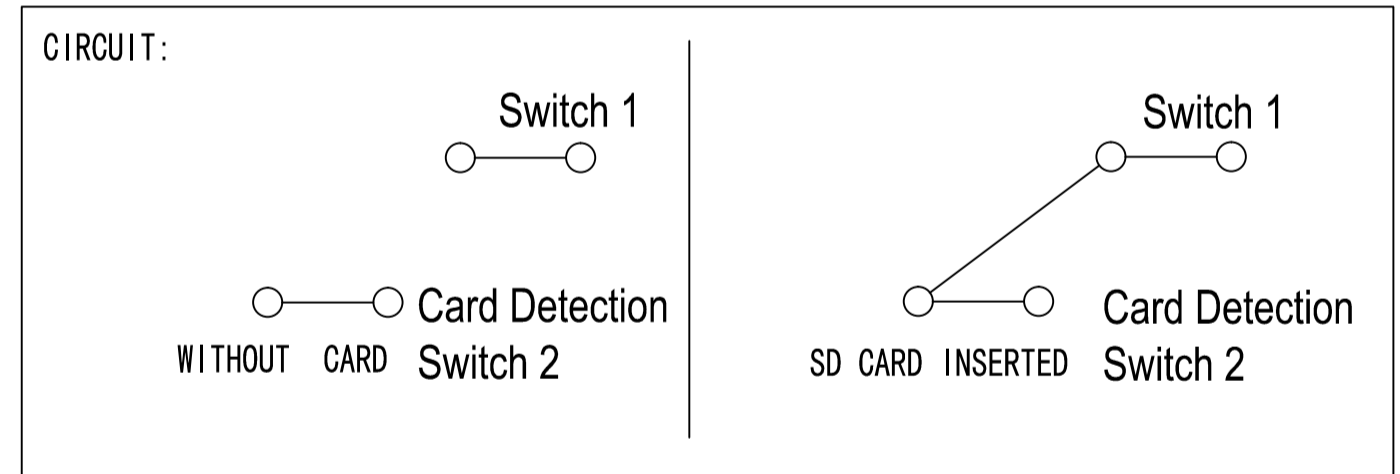
G: 功能區鍍金1u", 錫腳Gold Flash
H: 功能區鍍金3u", 錫腳Gold Flash
J: 功能區鍍金5u", 錫腳Gold Flash
A: 外壳表面无LOGO
B: 外壳表面有XNT-LOGO



0.80PUSH STROKE POSITION
1.60+0.25/-0.00 CARD LOCK POSITION
5.60CARD EJECT POSITION



PCB AREA
RECOMMENDED PCB LAYOUT
GENERAL TOLERANCE ±0.05



Specification

Electrical:

Current Rating :0.5A.max
Voltage Rating :5V AC/DC
Ambient Temperature Range :-25° C~+85° C
Storage Temperature Range :-25° C~+85° C
Ambient Humidity Range :95% R.H. Max.
Contact Resistance:100m max.
Insulation Resistance:1000M min./500VDC
Mating Cycles:5,000 Insertions
产品耐温温度: 260° C

MATERIAL:

Insulator: High Temperature Thermoplastic, UL 94V-0.
Contact: Copper Alloy
Shell: sus

PLATING:

Contact: Plated 50u'' Ni All, Over all Au 1u
Shell: Plated 50u'' Ni Overall
Plated 1u''Au Selective Contact Area

DESIGN	MISS ZENG	SC ALL	未注公差 TOLERANCE	品名:
DRAWIGN	MISS LI	ANIT	X. X ±0.15	MICRO-SD 卡座PUSH/1.68带CD
CHECK	Mr. ZENG	SIZE	X.XX ±0.10	型号:
APPROVAL		VERSION	X. XXX ±0.05	HH-0261AAAG10A

品名: MICRO-SD 卡座PUSH/1.68带CD
型号: HH-0261AAAG10A

东莞市航宏电子科技有限公司
Dongguan Hanghong Electronics Co., Ltd.