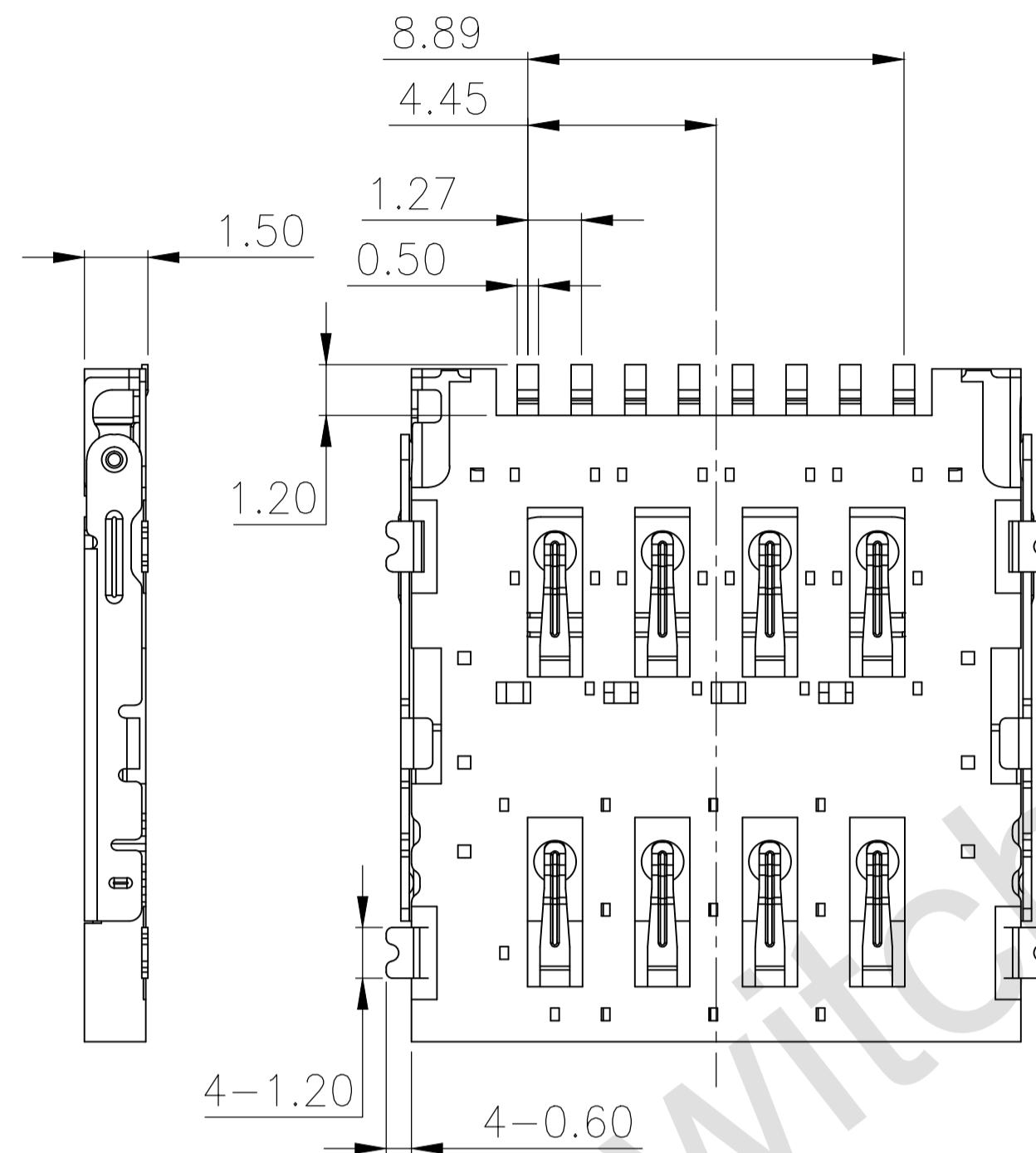
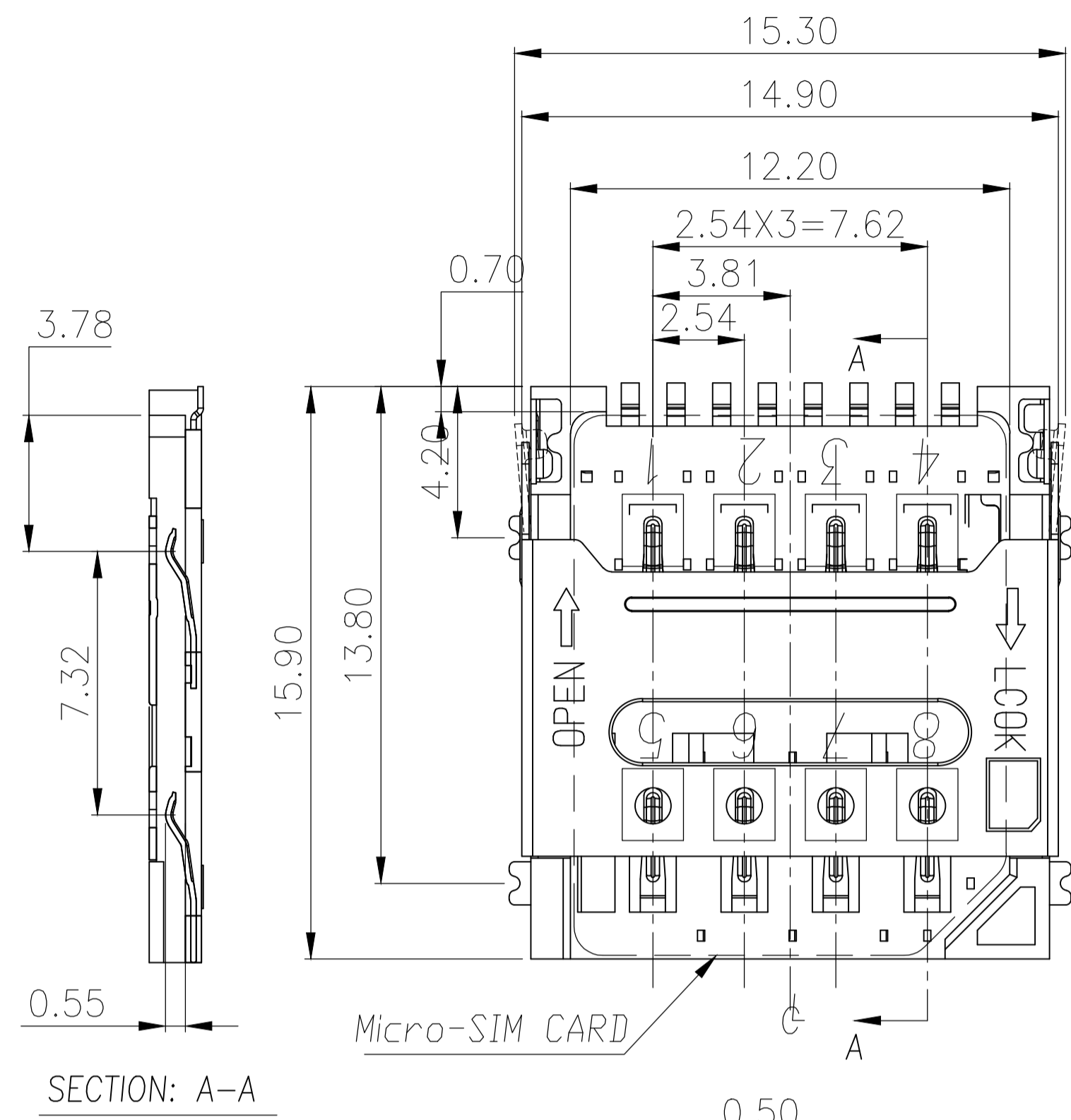


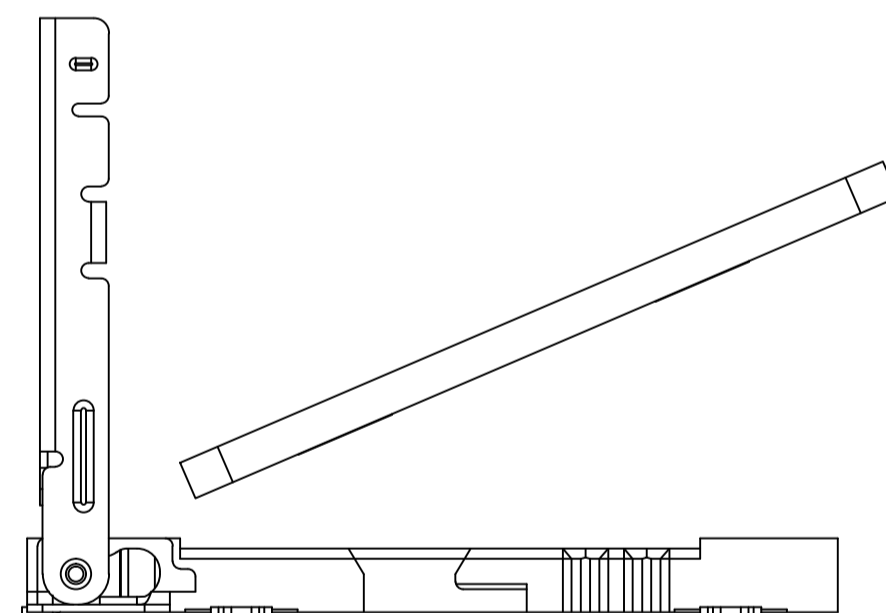
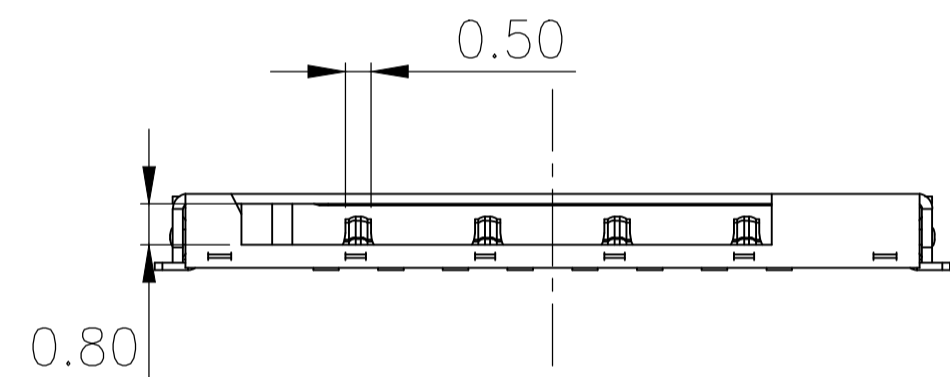
\* 所有原料材质, 生产制程, 电镀必须符合ROHS要求



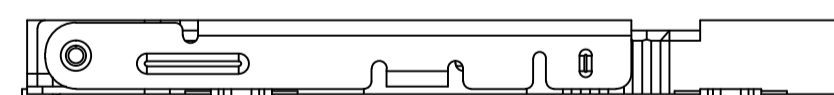
NOTES:

1. ELECTRICAL CHARACTERISTICS
  - 1-1. CONTACT RESISTANCE: 60 Milliohms Max
  - 1-2. INSULATION RESISTANCE: 1,000 Megohms Min.
  - 1-3. DIELECTRIC WITHSTANDING VOLTAGE: 500V AC FOR 1 MINUTE.
2. MECHANICAL CHARACTERISTICS
  - 2-1. OPERATION TEMPERATURE RANGE: -25°C~+70°C
  - 2-2. DURABILITY: 5000 CYCLES
3. MATERIAL:
  - 3-1. HOUSING: THERMOPLASTIC, UL 94-V0
  - 3-2. TERMINAL: PHOSPHOR BRONZE, T=0.15
  - 3-3. SHELL: STAINLESS STEEL, T=0.15
4. FINISHED:
  - 4-1. TERMINAL: Ni PLATED UNDER, Au PLATED ON CONTACT AREA, G/F PLATED ON SOLDER TAIL
  - 4-2. SHELL: Ni PLATED UNDER, G/F PLATED ON SOLDER TAIL

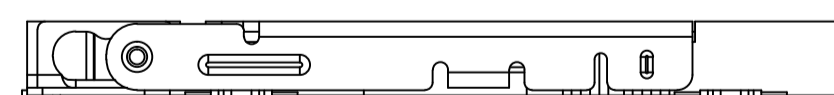
SECTION: A-A



STEP 1 INSERT Micro-SIM CARD

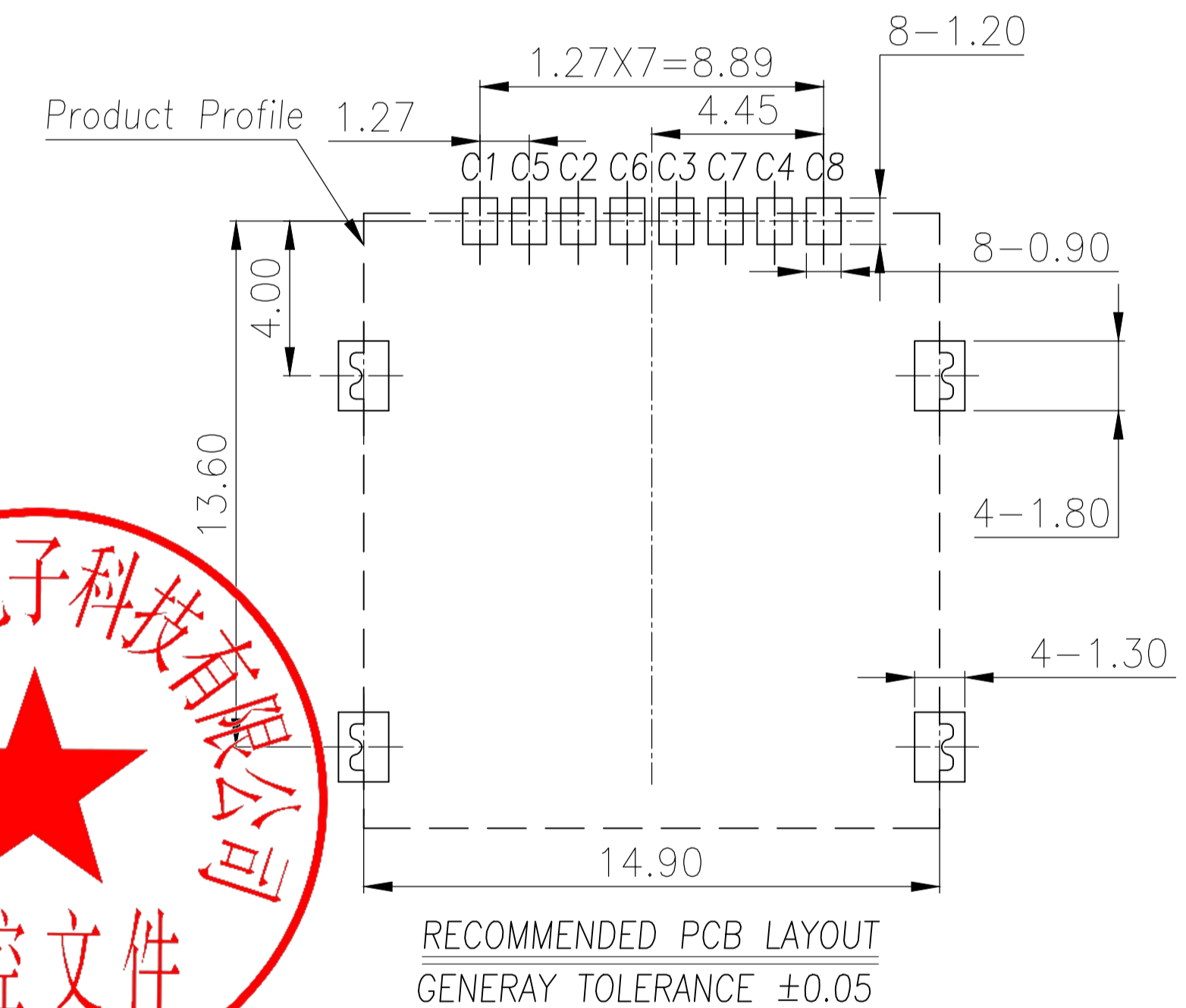
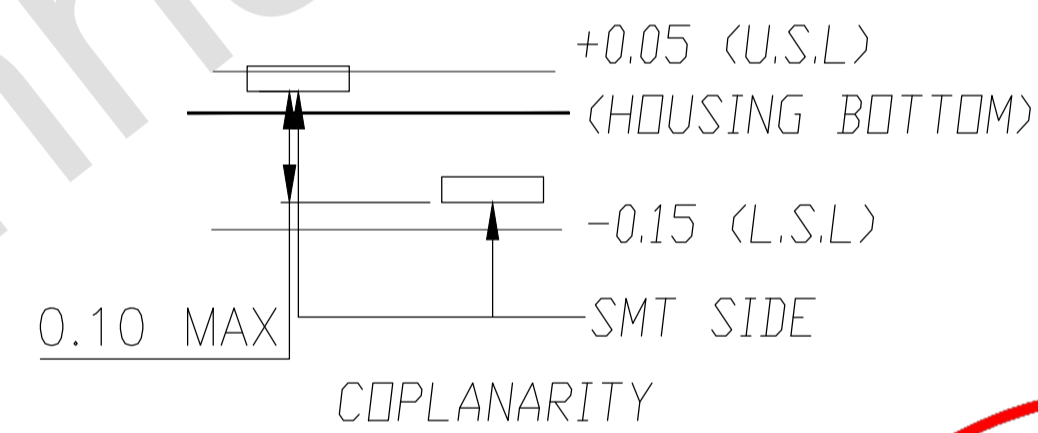


STEP 2 PUSH THE SHELL



STEP 3 FINISH

SIM CARD	
Pin No.	NAME
C1	VCC
C2	RST
C3	CLK
C4	RESERVED
C5	GND
C6	VPP
C7	I/O
C8	RESERVED



DESIGN	MISS ZENG	SC ALL		未注公差 TOLERANCE		品名:	
DRAWIGN	MISS LI	ANIT		MM	X. X ±0.38	X. XXX ±0.1	H1.5 掀盖SIM CARD
CHECK	Mr. ZENG	SIZE		A4: 210*297	X.XX ±0.25	ANGULAR:1°	型号:
APPROVAL		VERSION		01			HH-MS08-H150



**东莞市航宏电子科技有限公司**  
Dongguan Hanghong Electronics Co., Ltd.