

PCB LAYOUT/TOP VIEW

NOTES:

MATERIAL:

- 1.HOUSING :GLASS FILLED POLYESTER UL94V-0
- 2.CONTACT (ROUND PIN Ø0.46mm) :PHOSPHOR BRONZE WITH GOLD PLATING OVER NICKEL.

ELECTRICAL:

- 1.VOLTAGE RATING :125V AC.
- 2.CURRENT RATING :1.5AMP.
- 3.CONTACT RESISTANCE :30 MILLIOHMS MAX.
- 4.INSULATION RESISTANCE :500 MEGOHMS MIN @ 500V DC.
- 5.DIELECTRIC WITHSTANDING VOLTAGE :1000V AC RMS 50Hz OR 60Hz. 1MIN.

MECHANICAL:

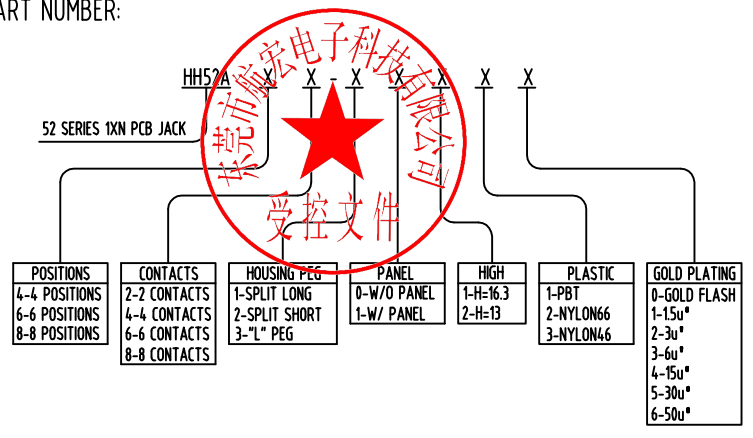
- 1.INSERTION FORCE :2.2Kg MAX.
- 2.RETENTION STRENGTH :7.7Kg BETWEEN JACK AND PLUG
- 3.DURABILITY :750 CYCLES MIN.

ENVIRONMENTAL:

- 1.STORAGE : -40°C~+85°C.
- 2.OPERATION : -40°C TO 85°C.

THE MARTS MODULAR PLUG CONFORMAING TO FCC PART68

PART NUMBER:



DESIGN	MISS ZENG	SC ALL			未注公差 T00LERANCE		品名: 网口连接器
DRAWIGN	MISS LI	ANIT	MM		.0 ±0.20	ANGLES ±5°	
CHECK	Mr. ZENG	SIZE	A4 : 210*297	.00 ±0.15			
APPROVAL		VERSION	01	.000 ±0.1			

东莞市航宏电子科技有限公司
Dongguan Hanghong Electronics Co., Ltd.